

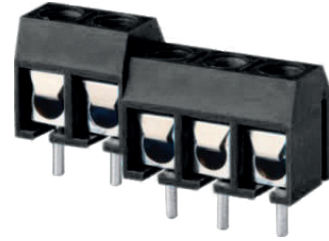
Terminal Block Standard Vertical 20.501M/xx-E



5.00mm Pitch, 250V 16A, Wire Protector Terminal Block, Black, Slot Head, Modular

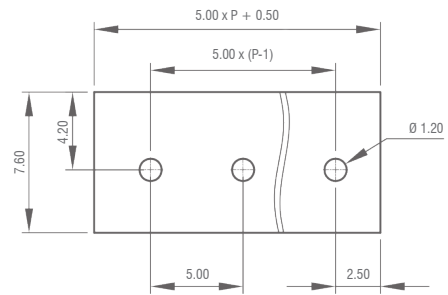
Key Features

- 250V 16A
- UL94-V0
- PA66
- 5.00mm Pin Pitch
- Slot Head
- RoHS Compliant
- xx = Number of Poles (available 2~24 poles)
- Modular

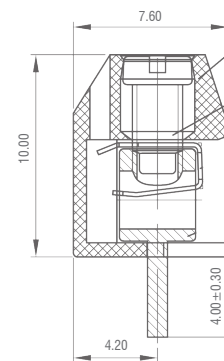
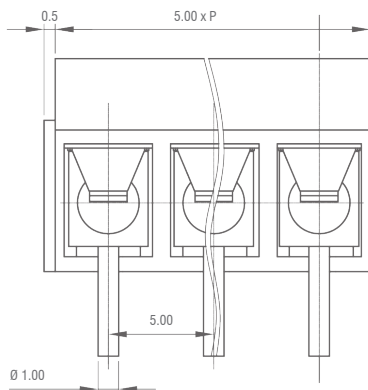
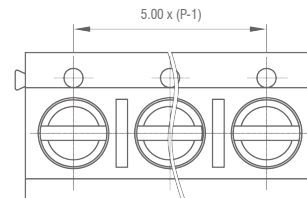


Technical Data

| | |
|----------------------------|---------------------------------|
| Pitch | 5.00mm |
| UL Rating | 250V 16A |
| IEC Rating | 250V 17.5A |
| Solder Pin | Copper Alloy, Tin Plated |
| Wire Clamp | Copper Alloy, Nickel Plated |
| Wire Range | 22~14 AWG (1.5mm ²) |
| PCB Hole Diameter | 1.20mm |
| Stripping Length | 4.5-5 mm |
| Screw | M2.5 Steel (Zinc Plated) |
| Screw Type | Slot Head |
| Screw Torque | 0.4Nm (3.6lb/in) |
| Insulation Voltage | AC 2000V / 1 Min |
| Initial Contact Resistance | 20mΩ |
| Insulation Resistance | 500MΩ / DC500V |
| Temperature Range | -40 to +120°C |
| Max Soldering | +250°C for 5 sec |



PCB Layout



Dimensions shown in mm P = No of Poles

Supplied in black as standard

Other colour options and printing may be available depending upon quantity
Please contact IMO for further information