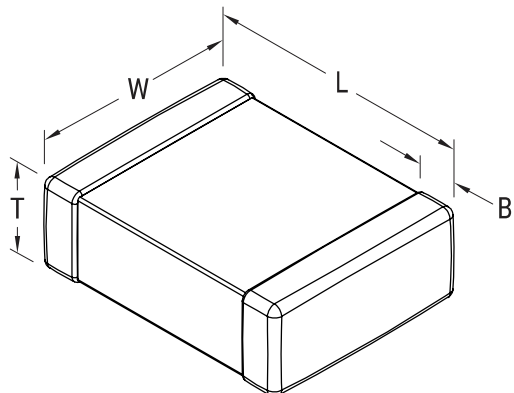


**KEMET Part Number: CAN18X563KARACTU**  
(CAN18X563KARAC7800)

AC SMD X7R Flex, Ceramic, Non-safety, 0.056 uF, 10%, 250VAC, X7R, SMD, MLCC, Industrial, 1812



**Dimensions**

<b>L</b>	4.5mm +/-0.4mm
<b>W</b>	3.2mm +/-0.3mm
<b>T</b>	1.3mm +/-0.10mm
<b>B</b>	0.7mm +/-0.35mm

**Packaging Specifications**

<b>Packaging:</b>	T&R, 180mm, Plastic Tape
<b>Packaging Quantity:</b>	1000

**General Information**

<b>Supplier:</b>	KEMET
<b>Series:</b>	CAN SMD Indust X7R
<b>Style:</b>	SMD Chip
<b>Description:</b>	SMD, MLCC, AC Non-Safety
<b>Features:</b>	AC Non-Safety rated
<b>RoHS:</b>	Yes
<b>Termination:</b>	Flexible Termination
<b>Marking:</b>	No
<b>Miscellaneous:</b>	Note: Referee time for X7R dielectric for this part number is 1000 hours. X7R dielectric is not recommended for AC line filtering or pulse applications
<b>Chip Size:</b>	1812

**Specifications**

<b>Capacitance:</b>	0.056 uF
<b>Capacitance Tolerance:</b>	10%
<b>Voltage AC:</b>	250 VAC 50/60Hz
<b>Dielectric Withstanding Voltage:</b>	945 V
<b>Temperature Range:</b>	-55/+125C
<b>Temperature Coefficient:</b>	X7R
<b>Dissipation Factor:</b>	2.50% 1kHz 25C
<b>Aging Rate:</b>	3% Loss/Decade Hour
<b>Insulation Resistance:</b>	1.786 GOhms