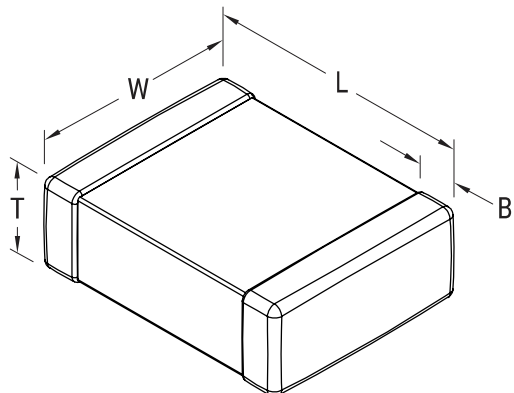


KEMET Part Number: CAN21X274KARACTU
(CAN21X274KARAC7800)

AC SMD X7R Flex, Ceramic, Non-safety, 0.27 uF, 10%, 250VAC, X7R, SMD, MLCC, Industrial, 2220



Dimensions

L	5.9mm +/-0.75mm
W	5mm +/-0.4mm
T	2mm +/-0.20mm
B	0.7mm +/-0.35mm

Packaging Specifications

Packaging:	T&R, 180mm, Plastic Tape
Packaging Quantity:	500

General Information

Supplier:	KEMET
Series:	CAN SMD Indust X7R
Style:	SMD Chip
Description:	SMD, MLCC, AC Non-Safety
Features:	AC Non-Safety rated
RoHS:	Yes
Termination:	Flexible Termination
Marking:	No
Miscellaneous:	Note: Referee time for X7R dielectric for this part number is 1000 hours. X7R dielectric is not recommended for AC line filtering or pulse applications
Chip Size:	2220

Specifications

Capacitance:	0.27 uF
Capacitance Tolerance:	10%
Voltage AC:	250 VAC 50/60Hz
Dielectric Withstanding Voltage:	945 V
Temperature Range:	-55/+125C
Temperature Coefficient:	X7R
Dissipation Factor:	2.50% 1kHz 25C
Aging Rate:	3% Loss/Decade Hour
Insulation Resistance:	370 MOhms