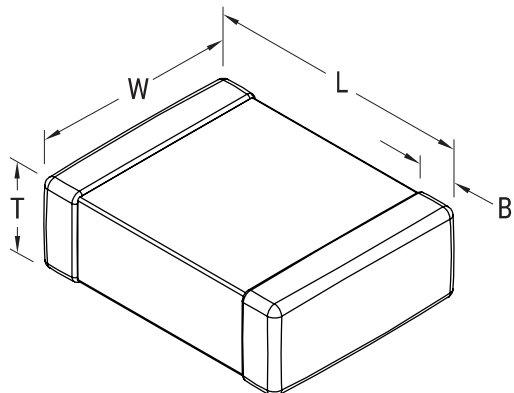


KEMET Part Number: CAN18X154KARACTU
(CAN18X154KARAC7800)

AC SMD X7R Flex, Ceramic, Non-safety, 0.15 uF, 10%, 250VAC, X7R, SMD, MLCC, Industrial, 1812



Dimensions

| | |
|----------|-----------------|
| L | 4.5mm +/-0.4mm |
| W | 3.2mm +/-0.3mm |
| T | 1.7mm +/-0.20mm |
| B | 0.7mm +/-0.35mm |

Packaging Specifications

| | |
|----------------------------|--------------------------|
| Packaging: | T&R, 180mm, Plastic Tape |
| Packaging Quantity: | 1000 |

General Information

| | |
|-----------------------|---|
| Supplier: | KEMET |
| Series: | CAN SMD Indust X7R |
| Style: | SMD Chip |
| Description: | SMD, MLCC, AC Non-Safety |
| Features: | AC Non-Safety rated |
| RoHS: | Yes |
| Termination: | Flexible Termination |
| Marking: | No |
| Miscellaneous: | Note: Referee time for X7R dielectric for this part number is 1000 hours. X7R dielectric is not recommended for AC line filtering or pulse applications |
| Chip Size: | 1812 |

Specifications

| | |
|---|---------------------|
| Capacitance: | 0.15 uF |
| Capacitance Tolerance: | 10% |
| Voltage AC: | 250 VAC 50/60Hz |
| Dielectric Withstanding Voltage: | 945 V |
| Temperature Range: | -55/+125C |
| Temperature Coefficient: | X7R |
| Dissipation Factor: | 2.50% 1kHz 25C |
| Aging Rate: | 3% Loss/Decade Hour |
| Insulation Resistance: | 667 MOhms |