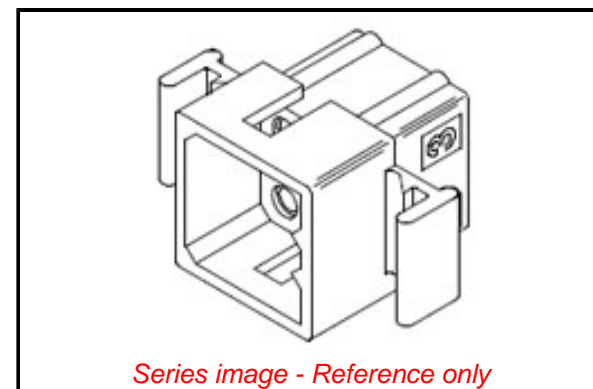


**PLEASE CHECK WWW.MOLEX.COM FOR LATEST PART INFORMATION**

**Part Number:** [0469990717](#)  
**Status:** **Active**  
**Overview:** Standard .062" Pin and Socket Power Connectors  
**Description:** 1.57mm Diameter Standard .062" Pin and Socket Plug Housing, 9 Circuits, with Pre-bent Mounting Ears, Natural

**Documents:**

[3D Model](#) [Packaging Specification PK-1625-003-001 \(PDF\)](#)  
[Drawing \(PDF\)](#) [RoHS Certificate of Compliance \(PDF\)](#)  
[Product Specification PS-02-06-001 \(PDF\)](#)



**General**

|                |  |
|----------------|--|
| Product Family | Crimp Housings   |
| Series         | <a href="#">1625</a>   |
| Application    | Power, Wire-to-Wire  |
| Overview       | <a href="#">Standard .062" Pin and Socket Power Connectors</a> |
| Product Name   | Standard .062"   |
| UPC            | 889056705202   |

**Physical**

|                               |                |
|-------------------------------|----------------|
| Circuits (maximum)            | 9              |
| Circuits Detail               | 3x3            |
| Color - Resin                 | Natural        |
| Gender                        | Plug           |
| Glow-Wire Capable             | No             |
| Keying to Mating Part         | None           |
| Lock to Mating Part           | Yes            |
| Material - Resin              | Nylon          |
| Net Weight                    | 2.217/g        |
| Number of Rows                | 3              |
| Packaging Type                | Bag            |
| Panel Mount                   | Yes            |
| Pitch - Mating Interface      | 3.68mm         |
| Pitch - Termination Interface | 3.68mm         |
| Polarized to Mating Part      | Yes            |
| Stackable                     | No             |
| Temperature Range - Operating | -40° to +105°C |

**Electrical**

|                               |      |
|-------------------------------|------|
| Current - Maximum per Contact | 5.0A |
|-------------------------------|------|

**Solder Process Data**

|                             |     |
|-----------------------------|-----|
| Lead-freeProcess Capability | N/A |
|-----------------------------|-----|

**Material Info**

|                    |          |
|--------------------|----------|
| Engineering Number | 1625-9P4 |
|--------------------|----------|

**Reference - Drawing Numbers**

|                         |                 |
|-------------------------|-----------------|
| Packaging Specification | PK-1625-003-001 |
| Product Specification   | PS-02-06-001    |
| Sales Drawing           | 16250900-SD-000 |

**EU ELV**

**Not Relevant**

**EU RoHS**

**Compliant**

**REACH SVHC**

Not Contained Per  
-ED/88/2018 (15  
January 2019)

**Halogen-Free**

**Status**

**Low-Halogen**

For more information, please visit [Contact US](#)

China ROHS

ELV

RoHS Phthalates

**China RoHS**

Green Image

Not Relevant

Not Contained

**Search Parts in this Series**

[1625 Series](#)