

Sealed Rocker Switch



Single Pole KR Series

Features

- Snap-in mounting
- RoHS compliant
- 100,000 cycles mechanical life
- IP65
- Lighted and non-lighted versions available

Standard Parts¹

North America

KRE2ALA2GBB KRE2ALA2RBB

North America and Europe

KRE2ANA1BBD KRE2BNA1BBB KRE2DNA1BBB

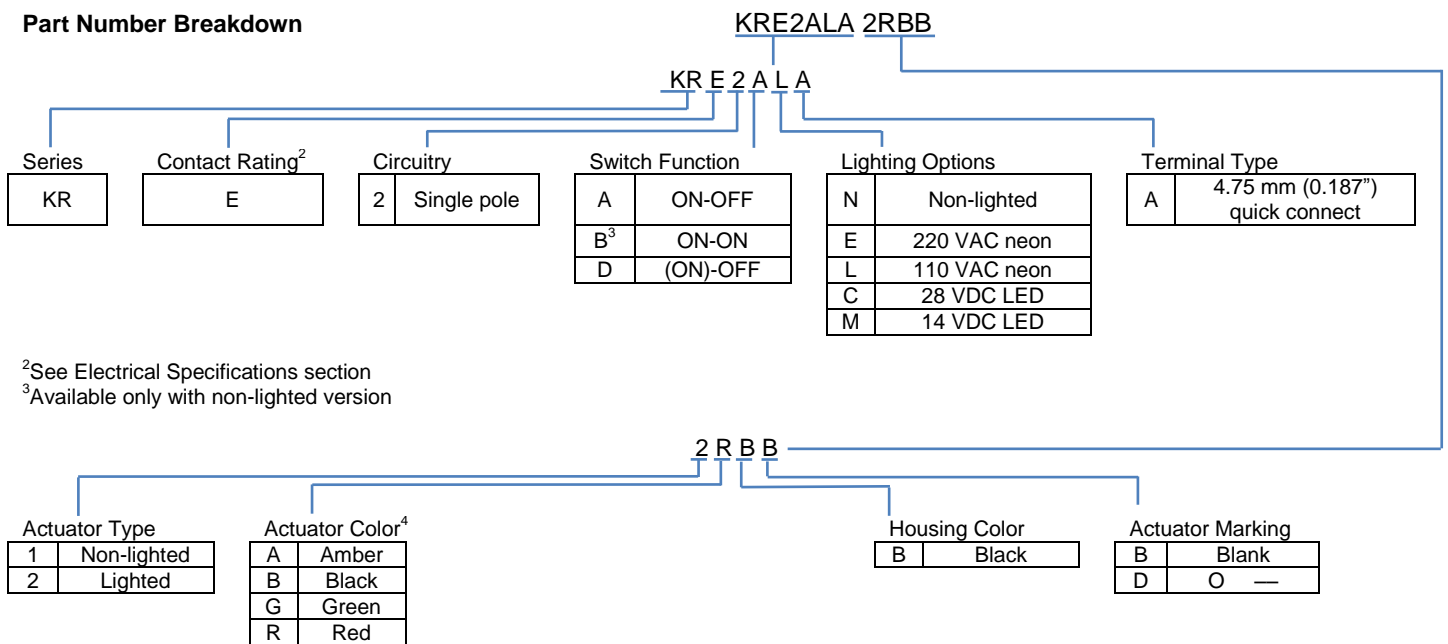
Europe

KRE2AEA2GBB KRE2AEA2RBB

¹The part number configuration matrix below provides details to the part numbers above.

For configurable part numbers that are not listed above, not listed in your region, or for custom part numbers, contact the factory or your distributor.

Part Number Breakdown



²See Electrical Specifications section

³Available only with non-lighted version

⁴Black actuator is only available for non-lighted; others only for lighted.



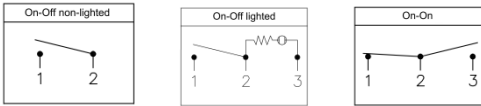
Electrical Specifications

Dielectric Strength	1500 VAC for 1 minute	
Insulation Resistance	100 MΩ min at 500 VDC	
Initial Contact Resistance	0.050 Ω max	
Electrical Ratings – UL1054:		
VAC:	16 A 125 VAC 1/3 HP / 10 A 250 VAC 1/2 HP	VDC: 16 A 14 VDC / 6 A 28 VDC
Electrical Life at Rated Load:	UL: Minimum Operations 6,000	
UL File No:	E23301	

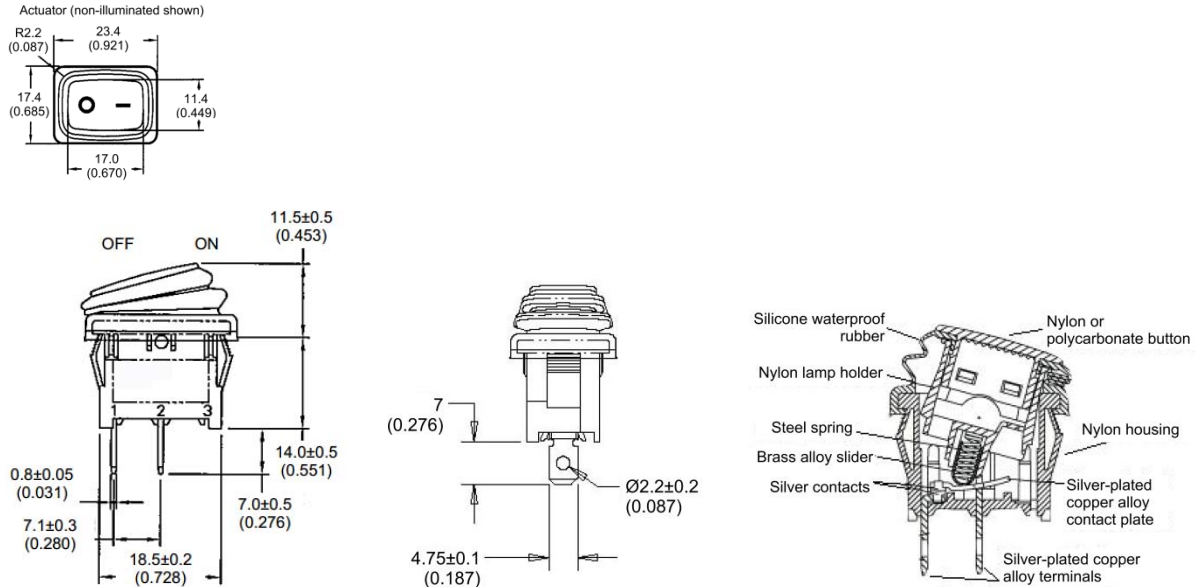
Material and Environmental Specifications

Actuator, non-lighted	Nylon 66 94 V-2
Actuator, lighted	Polycarbonate
Housing	Nylon 66 94 V-2
Spring	Steel Wire
Contacts	Silver Alloy
Movable Arm	Silver
Terminals	Silver-Plated Copper Alloy
Rubber Boot	Silicone
Operating Temperature Range	-25 °C to +85 °C (-13 °F to +185 °F)
Ingress Protection	IP65

Circuitry and Switch Functions – (ON)-OFF has same connections as ON-OFF; spring return on switch



Dimensions mm (inches)



Recommended Panel Cut-Out Dimensions

Panel thickness	Dimension Y	Dimension X
0.75 to 1.50 (0.030 to 0.059)	19.4-0.1 (0.764+0.004)	13+0.1 (0.512+0.004)
1.50 to 2.50 (0.049 to 0.098)	19.8-0.1 (0.780+0.004)	

