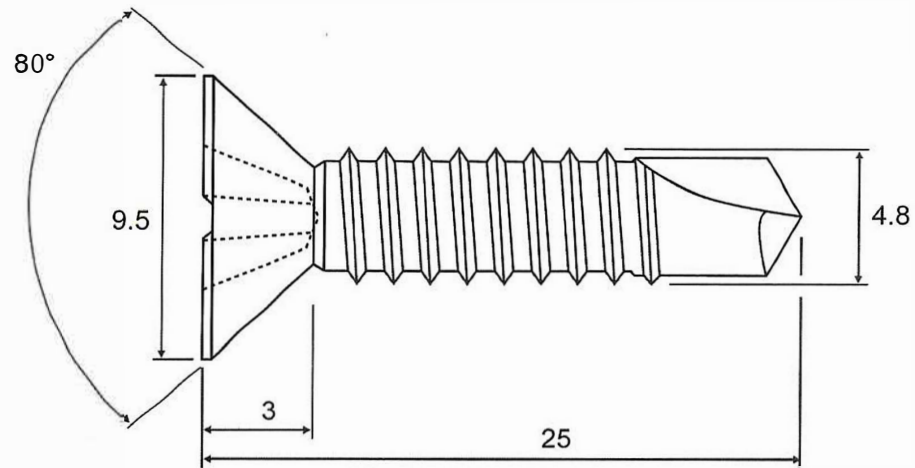
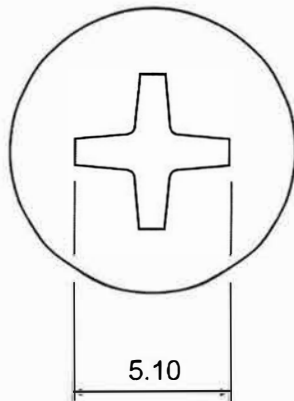


⊕ PH2



4.8mm x 25mm Countersunk Head Cross
Recess H Drive Self Drilling Screw

DIN 7504P ~ISO 15482

Material	A2 Stainless Steel	Customer Part No.	FN04032
Finish	Self Colour	Web Ref No	FN04032

UNCONTROLLED COPY FOR REFERENCE ONLY DO NOT SCALE
UNLESS OTHERWISE SPECIFIED : DIMENSIONS ARE IN MILLIMETERS