

FT260CC SPRING RETURN CABLE REEL



Tel: +44 (0) 1304 612 957

**Robust, compact reel,
ideal for ceiling/wall or
floor mounting.**

**Pre-torqued to suit Combi
Cubes.**



The FT260 brings power to any application in a safe and efficient manner. It is a sturdy, all thermoplastic design made from high-quality materials, electrically insulated and corrosion resistant.

Depending on requirements, the desired length of cable is unwound; the remaining cable is neatly stored on the reel - safe from dirt and damage. When the cable connection is no longer required, a short pull on the stopper and the cable neatly rewinds. A spring return cable reel means a safe and organized workplace. Supplied with a variety of lengths, sizes of cable.

Features:

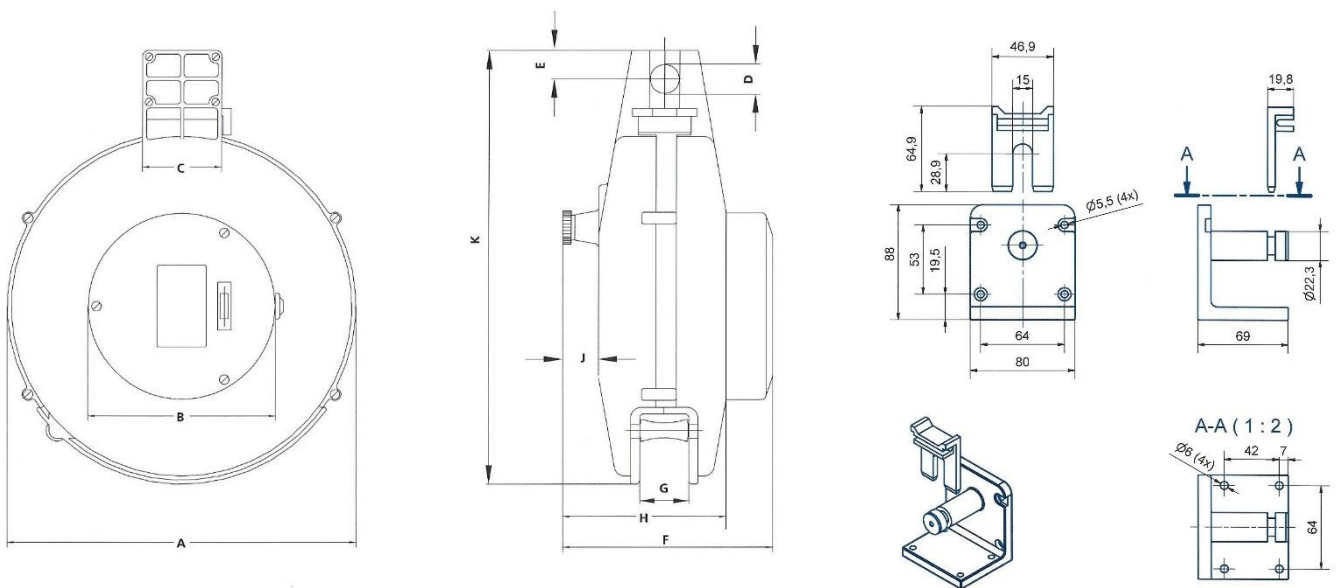
- Adjustable ball stop
- Ratchet on/off facility
- 0.8mOhm contact resistance
- Universal mounting bracket
- IP20 protection
- High quality brass slip ring with silver contacts
- Operating temperature +5° to +60°C



Dimensions: FT260 (mm)

A	B	C	D	E	F	G	H	J	K
260	140	60	22	175	36	36	122	26	325

Fixing bracket:



Specifications for full range:

Part Number	Cable	Load Wound	Load Unwound	Weight Kg	Model
400007CC	5m 3 x 1.5mm ²	8A**	16A**	4.0	FT260.0305 16A/240V
400009CC	5m 3 x 1.5mm ²	8A**	16A**	4.0	FT260.0305 16A/110V

** No internal fuse block fitted. Please ensure the cable is suitably protected.

Cablecaddy Ltd:
www.marcaddy.co.uk
 Tel: +44 (0) 1304 612957.