

PLEASE CHECK WWW.MOLEX.COM FOR LATEST PART INFORMATION

Part Number: [0859993256](#)
Status: **Active**
Overview: Magnetic and Modular Jacks and Plugs
Description: Blind Plug Dust Cover for 6 Position Modular Jack

Documents:

[3D Model](#) [RoHS Certificate of Compliance \(PDF\)](#)
[Drawing \(PDF\)](#)

General

Product Family	Accessories
Series	90075
Component Type	Dust Cover
Overview	<u>Magnetic and Modular Jacks and Plugs</u>
Product Name	RJ11
UPC	800754867412

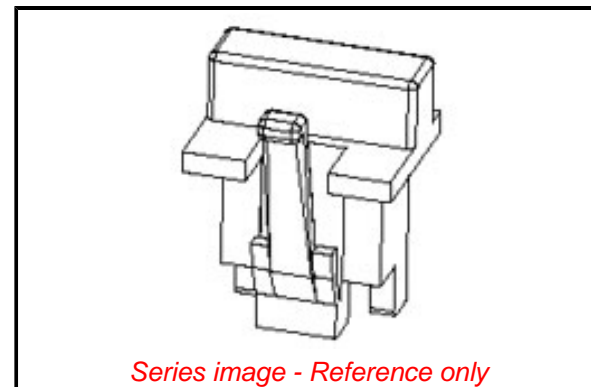
Physical

Circuits (Loaded)	6
Circuits (maximum)	6
Net Weight	1.230/g
Packaging Type	Bag
Temperature Range - Operating	-40° to +80°C

Material Info

Reference - Drawing Numbers

Sales Drawing	SD-85999-056-001
---------------	------------------



EU ELV

Not Relevant

EU RoHS

Compliant

REACH SVHC

Not Contained Per
-ED/88/2018 (15
January 2019)

Halogen-Free

Status

Low-Halogen

For more information, please visit [Contact US](#)

China ROHS

ELV

RoHS Phthalates

China RoHS

Green Image

Not Relevant

Not Contained

Search Parts in this Series

[90075 Series](#)

Use With

6 Position Modular Jacks