

**PLEASE CHECK WWW.MOLEX.COM FOR LATEST PART INFORMATION**

**Part Number:** [5017843008](#)  
**Status:** **Active**  
**Description:** 0.50mm Pitch FFC-to-Board Plug Jacket Cover, with Ground Type, 30 Circuits

**Documents:**

<a href="#">3D Model</a>	<a href="#">Application Specification 5017832000-A00 (PDF)</a>
<a href="#">Drawing (PDF)</a>	<a href="#">Packaging Specification SPK-501784-001-001 (PDF)</a>
<a href="#">Product Specification PS-501864-004-001 (PDF)</a>	<a href="#">RoHS Certificate of Compliance (PDF)</a>

**Agency Certification**

UL E29179

**General**

Product Family	Accessories
Series	<a href="#">501784</a>
Comments	Requires a custom FFC with notches, Requires a custom FFC with notches
Component Type	Jacket Cover
Product Name	Easy-On
UPC	822350718608

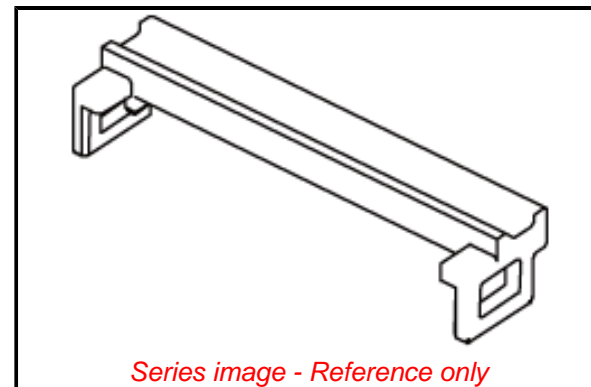
**Physical**

Breakaway	No
Circuits (Loaded)	30
Circuits (maximum)	30
Color - Resin	Black
Flammability	94V-0
Gender	Plug
Material - Resin	Polyester
Net Weight	149.500/mg
Packaging Type	Bag
Polarized to Mating Part	Yes
Temperature Range - Operating	-40° to +105°C

**Material Info**

**Reference - Drawing Numbers**

Application Specification	5017832000-A00
Packaging Specification	SPK-501784-001-001
Product Specification	PS-501864-004-001
Sales Drawing	SD-501784-005



**EU ELV**

**Not Relevant**

**EU RoHS**

**Compliant**

**REACH SVHC**

Not Contained Per  
-ED/88/2018 (15  
January 2019)

**Halogen-Free**

**Status**

**Not Low-Halogen**

For more information, please visit [Contact US](#)

China ROHS

ELV

RoHS Phthalates

**China RoHS**

Green Image

Not Relevant

Not Contained

**Search Parts in this Series**

[501784](#) Series

**Use With**

[501786](#) FFC-to-Board Connector, [501864](#)  
FFC-to-Board Connector, [501783](#) Plug  
Jacket