

**PLEASE CHECK WWW.MOLEX.COM FOR LATEST PART INFORMATION**

**Part Number:** **0503978100**  
**Status:** **Active**  
**Overview:** CP Wire-to-Board and Wire-to-Wire Connector Systems  
**Description:** 2.50mm and 3.30mm Pitch Crimp Terminal, Female, 22-28 AWG, Bag

**Documents:**

<a href="#">3D Model</a>	<a href="#">Application Specification 5056050000-A00 (PDF)</a>
<a href="#">Drawing (PDF)</a>	<a href="#">Application Specification 5056050000-A01 (PDF)</a>
<a href="#">Product Specification 5056050000-000 (PDF)</a>	<a href="#">Application Specification AS-504693-001-001 (PDF)</a>
<a href="#">Product Specification PS-500592-001-001 (PDF)</a>	<a href="#">Application Specification AS-504693-002-001 (PDF)</a>
<a href="#">Product Specification PS-504693-001-001 (PDF)</a>	<a href="#">Packaging Specification SPK-50397-001-001 (PDF)</a>
<a href="#">Product Specification PS-51111-001 (PDF)</a>	<a href="#">RoHS Certificate of Compliance (PDF)</a>
<a href="#">Product Specification PS-51111-003 (PDF)</a>	<a href="#">Product Literature (PDF)</a>

**General**

Product Family	Crimp Terminals
Series	50397
Application	Signal, Wire-to-Wire
Crimp Quality Equipment	Yes
Overview	CP Wire-to-Board and Wire-to-Wire Connector Systems
Packaging Alternative	503978000 (Reel)
Product Literature Order No	987651-6581
Product Name	CP-3.3
UPC	800754237444

**Physical**

Gender	Female
Material - Metal	Phosphor Bronze
Material - Plating Mating	Tin
Material - Plating Termination	Tin
Net Weight	89.600/mg
Packaging Type	Bag
Plating min - Mating	0.914µm
Plating min - Termination	0.914µm
Termination Interface: Style	Crimp or Compression
Wire Insulation Diameter	1.15-1.80mm
Wire Size AWG	22, 24, 26, 28
Wire Size mm <sup>2</sup>	N/A

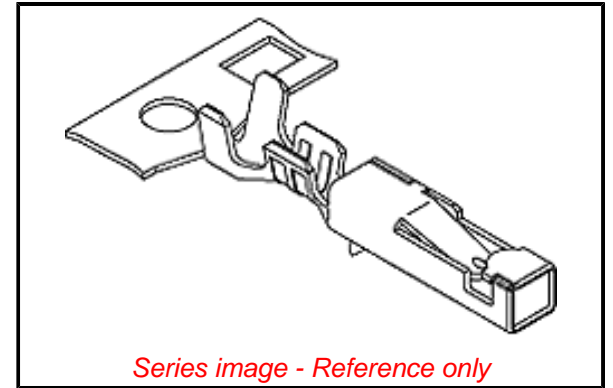
**Electrical**

Current - Maximum per Contact	3.0A
Voltage - Maximum	300V AC (RMS)/DC

**Material Info**

**Reference - Drawing Numbers**

Application Specification	5056050000-A00, 5056050000-A01, AS-504693-001-001, AS-504693-002-001
Packaging Specification	SPK-50397-001-001
Product Specification	5056050000-000, PS-500592-001-001, PS-504693-001-001, PS-51111-001, PS-51111-003
Sales Drawing	SD-50397-001



Series image - Reference only

**EU ELV**

**Not Relevant**

**EU RoHS**

**Compliant**

**REACH SVHC**

Not Contained Per  
-ED/88/2018 (15  
January 2019)

**Halogen-Free**

**Status**

**Low-Halogen**

For more information, please visit [Contact US](#)

China ROHS

ELV

RoHS Phthalates

**China RoHS**

Green Image

Not Relevant

Not Contained

**Search Parts in this Series**

50397 Series

**Use With**

51111 , 504693 , 505605

**Application Tooling | FAQ**

*Tooling specifications and manuals are found by selecting the products below. Crimp Height Specifications are then contained in the Application Tooling Specification document.*

**Global**

**Description** **Product #**

Extraction and 638132700

Activation Tool

Hand Crimp Tool 638238000

for 2.50mm Pitch

Wire to Wire Crimp

Terminals

**Japan**

**Description** **Product #**

Hand Crimp Tool 573165000

Extraction Tool 573166100

This document was generated on 03/29/2019

**PLEASE CHECK [WWW.MOLEX.COM](http://WWW.MOLEX.COM) FOR LATEST PART INFORMATION**