

PLEASE CHECK WWW.MOLEX.COM FOR LATEST PART INFORMATION

Part Number: **0190020029**
Status: **Active**
Overview: Standard Quick-Disconnect Terminals
Description: Avikrimp Fully Insulated Quick Disconnect, Female, for 14-16 AWG Wire, Mylar Tape

Documents:

| | |
|--------------------------------------------------------------|--------------------------------------------------------------|
| 3D Model | Product Specification PS-19902-014-001 (PDF) |
| Drawing (PDF) | Product Specification PS-19902-015-001 (PDF) |
| Product Specification PS-19902-011-001 (PDF) | RoHS Certificate of Compliance (PDF) |

Agency Certification

| | |
|-----|---------|
| CSA | LR18689 |
| UL | E79133 |

General

| | |
|-------------------------|--------------------------------------------|
| Product Family | Quick Disconnects |
| Series | <u>19002</u> |
| Crimp Quality Equipment | Yes |
| Insulated | Fully |
| Overview | <u>Standard Quick-Disconnect Terminals</u> |
| Product Name | Avikrimp |
| Type | Quick Disconnect |
| UPC | 800753027404 |

Physical

| | |
|--------------------------------|-----------------------|
| Barrel Type | Closed |
| Color - Resin | Blue |
| Flammability | 94V-2 |
| Gender | Female |
| Glow-Wire Capable | Yes |
| Insulation | Nylon (PA) |
| Lock to Mating Part | None |
| Material - Metal | Brass |
| Material - Plating Mating | Tin |
| Material - Plating Termination | Tin |
| Net Weight | 1.010/g |
| Orientation | Straight |
| Packaging Type | Adhesive Tape on Reel |
| Polarized to Mating Part | No |
| Tab Thickness | 0.51mm |
| Tab Width | 4.75mm |
| Temperature Range - Operating | -65° to +105°C |
| Wire Insulation Diameter | 3.94mm max. |
| Wire Size AWG | 14, 16 |
| Wire Size mm ² | 1.30-2.00 |

Electrical

| | |
|-------------------|------|
| Voltage - Maximum | 300V |
|-------------------|------|

Solder Process Data

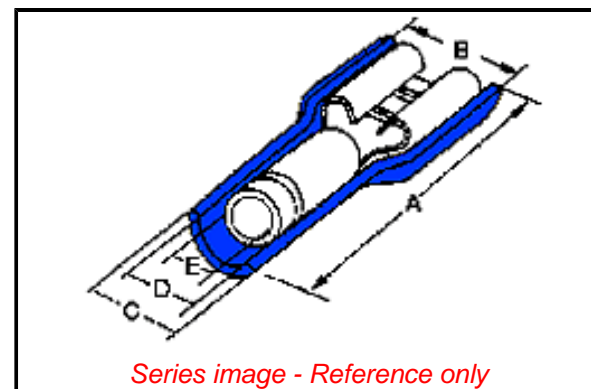
| | |
|------------------------------|-----|
| Lead-free Process Capability | N/A |
|------------------------------|-----|

Material Info

| | |
|--------------------|----------|
| Engineering Number | BB-5269T |
|--------------------|----------|

Reference - Drawing Numbers

| | |
|-----------------------|---------------------------------------------------------|
| Product Specification | PS-19902-011-001, PS-19902-014-001, PS-19902-015-001 |
|-----------------------|---------------------------------------------------------|



Series image - Reference only

EU ELV

Not Relevant

EU RoHS

Compliant

REACH SVHC

Not Contained Per
-ED/88/2018 (15
January 2019)

Halogen-Free

Status

Low-Halogen

For more information, please visit [Contact US](#)

China ROHS

ELV

RoHS Phthalates

China RoHS

Green Image

Not Relevant

Not Contained

Search Parts in this Series

19002 Series

Use With

190010008 , 190010009

Application Tooling | FAQ

Tooling specifications and manuals are found by selecting the products below. Crimp Height Specifications are then contained in the Application Tooling Specification document.

Global

| Description | Product # |
|------------------------------------------------------------------|------------------|
| ATP Crimp Dies for the Tape Crimp Module and ATP-101 & 301 Press | <u>192880130</u> |
| Mini-Mac Applicator | <u>638850200</u> |

This document was generated on 03/29/2019

PLEASE CHECK WWW.MOLEX.COM FOR LATEST PART INFORMATION