

Magnifique II

Illuminated magnifier for people with impaired vision

**LUXO**

Description

Magnifique is the ideal tool for people with impaired vision. A very thin, translucent polycarbonate lens frame ensures that eye contact with the object viewed is not lost in transition when switching from magnification to normal viewing and back again.

Comfortable viewing

Magnifique has a large rectangular lens, 175 x 108 mm, which permits comfortable viewing with both eyes. The carefully designed optics projects a high level of light onto the object viewed through the lens. The built in electronic ballast further improves viewing comfort. It offers instant start and no flickering or stroboscopic effects.

The lens has a unique snap-on/snap off feature. It may easily be changed to fit any use. The power switch has been designed to give good tactile feedback, making it easy to find and operate. The lamp is easy to change and available through regular commercial channels, an important detail for end users who keep it at home.

Colour: White.

Standard version with 3,5 diopter glass lens and table clamp

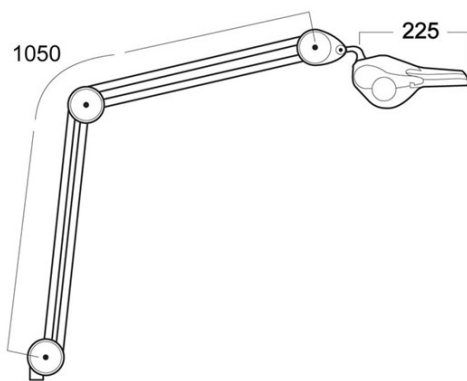
Magnifique II

Illuminated magnifier for people with impaired vision

Technical description

Light source	Supplied with 1 x TC-SEL 11 W.	Mounting	Standard with table clamp (AH clamp). Other table clamps, integrated table mounts and trolley are available on request.
Driver	Electronic ballast (HF).	Optics	Lens dimensions are 107 x 108 mm. Delivered with 3,5 diopter glass lens.
Body material & colour	Steel arm with plastic covers. Plastic shade. Colour: white.	Arm technology & movement	Parallel, three-pivot arm. Arm length is 105 cm.

Measurement drawings



Magnifique II

Magnifique II

Illuminated magnifier for people with impaired vision

Energy label

