

Dual Compartment Enclosure with Transparent Cover

multicomp PRO

**RoHS
Compliant**



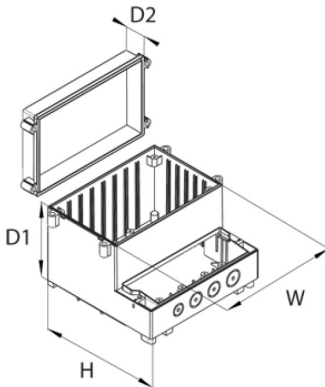
Description

The enclosure is made of ultra-strong ABS plastic UL94-HB, has two compartments and provides protection against dust and moisture according to the IP65 standard.

Features

- The enclosure is specially designed for monitoring equipment, alarm system and process control, has two compartments equipped with covers.
- Inside racks and rails are set for vertical and horizontal PCB mounting.
- The lower compartment can be used for all necessary commutation, also there are technological marks for pressure seal setting.
- Sealing is provided by neoprene gasket according to the IP65 standard.
- Operating temperature from -20°C to +100°C.
- ABS UL94-HB Material.
- Light-grey colour and transparent cover.

Diagram



Dimension Table

Part Number	W	D1	D2	H
MC003610	166	68.5	24.5	161
MC003611	166	96.5	24.5	161
MC003612	213	80	24.5	185
MC003613	257	108	24.5	216
MC003614	296	133.5	24.5	281

Dimensions : Millimetres

Part Number Table

Description	Part Number
Sealed Dual Compartment Enclosure with Transparent Cover (UL94-HB rating)	MC003610
	MC003611
	MC003612
	MC003613
	MC003614

Note: Delivery set includes neoprene gasket, fixing screws and covers.

Important Notice : This data sheet and its contents (the "Information") belong to the members of the AVNET group of companies (the "Group") or are licensed to it. No licence is granted for the use of it other than for information purposes in connection with the products to which it relates. No licence of any intellectual property rights is granted. The Information is subject to change without notice and replaces all data sheets previously supplied. The Information supplied is believed to be accurate but the Group assumes no responsibility for its accuracy or completeness, any error in or omission from it or for any use made of it. Users of this data sheet should check for themselves the Information and the suitability of the products for their purpose and not make any assumptions based on information included or omitted. Liability for loss or damage resulting from any reliance on the Information or use of it (including liability resulting from negligence or where the Group was aware of the possibility of such loss or damage arising) is excluded. This will not operate to limit or restrict the Group's liability for death or personal injury resulting from its negligence. Multicomp Pro is the registered trademark of Premier Farnell Limited 2019.

Newark.com/exclusive-brands
Farnell.com/exclusive-brands
Element14.com/exclusive-brands

multicomp PRO