



50 - 2100LN
50-2100AN
50-2100MR

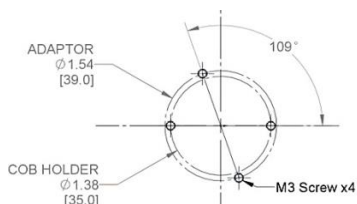
CHIP-LOK™ REFLECTOR ADAPTOR
 FOR USE WITH **LEDiL** REFLECTORS

FEATURES/BENEFITS:



- OPTICALLY EFFICIENT ADAPTOR ENABLES EASY ATTACHMENT OF LEDiL REFLECTORS WITH CHIP-LOK LED ARRAY HOLDERS.
- REFLECTOR INTERFACE SUPPORTS LEDiL LENA, LENINIA, ANGELA, ANGELINA, AND MIRELLA
- BREAK AWAY TAB DESIGN ALLOWS FOR VERSATILE ATTACHMENT TO MULTIPLE COB ARRAYS
- SUPPORTED COB MANUFACTURERS: CREE, CITIZEN, PHILIPS, LG, NICHIA, SHARP AND BRIDGELUX
- STANDARDIZED MOUNTING SCREW LOCATIONS MAKES CHANGES TO OTHER ARRAYS AND REFLECTORS SIMPLE

APPLICATION:



MECHANICAL:

MOUNTING HOLE SPACING: 1.54 IN (39.0 mm)
 SCREW SIZE: M3
 SCREW TORQUE: 1.0 IN-LB (0.1 Nm)
 -POLARIZED MARKINGS PROVIDE INSTALLATION ORIENTATION

PHYSICAL:

HOUSING: POLYCARBONATE
 TEMPERATURE: 90°C (194°F)
 COLOR: WHITE
 FLAME RATING: 94 V-2

STANDARDS & SPECIFICATIONS:

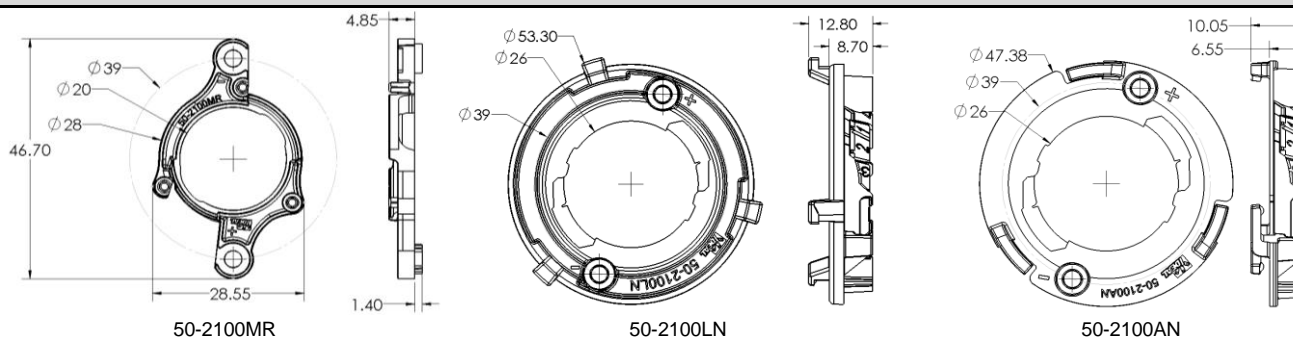
-RoHS AND REACH COMPLIANT

COMPATABILITY CHART:

Ledil Family	Mirella PF	Lena/Lenina	Angela/Angelina	IDEAL Holder	IDEAL Holder Family
IDEAL Catalog No.	IDEAL 50-2100MR	IDEAL 50-2100LN	IDEAL 50-2100AN		
Citizen CLU03X		•	•	50-2103CT	Chip-Lok
Citizen CLU04X		•	•	50-2204CT	Chip-Lok
Cree CX_18	•	•	•	50-2101CR	Chip-Lok Jr.
Cree CX_18		•	•	50-3001CR	Chip-Lok Jr.
Cree CX_25		•	•	50-2102CR	Chip-Lok
Cree CX_25		•	•	50-3002CR	Chip-Lok Jr.
Cree CX_30		•	•	50-2234C	Chip-Lok
LG LEMWM18		•	•	50-2100LG	Chip-Lok
Lumileds 1203	•	•	•	50-2100NC	Chip-Lok
Lumileds 1204, 1205, 1208		•	•	50-2100SH	Chip-Lok
Nichia NSBxL110, NFCxLO36B, NFCxLO60B, NVCxLO24Z	•	•	•	50-2100NC	Chip-Lok
Nichia NFCxJ108B, NFDxJ130B, NVExJ048Z		•	•	50-2103NC	Chip-Lok
Sharp Mega ZENIGATA		•	•	50-2100SH	Chip-Lok

ORDERING INFO:

CATALOG #	REFLECTOR DESCRIPTION	PACKAGE TYPE:	WEIGHT LBS (KG)
50-2100AN	ANGELA / ANGELINA	500 PIECE	2.0 (0,9)
50-2100LN	LENA / LENINIA	500 PIECE	3.5 (1,6)
50-2100 MR	MIRELLA PF	500 PIECE	1.3 (0,6)





50-2300AN

CHIP-LOK™ REFLECTOR ADAPTOR
FOR USE WITH LEDiL REFLECTORS

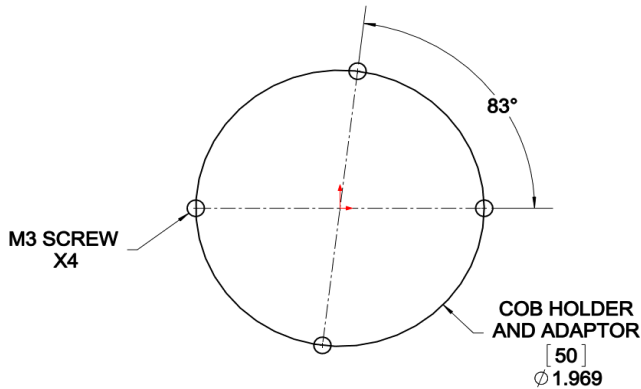
FEATURES/BENEFITS:



- OPTICALLY EFFICIENT ADAPTOR ENABLES EASY ATTACHMENT OF LEDiL REFLECTORS WITH CHIP-LOK LED ARRAY HOLDERS.
- REFLECTOR INTERFACE SUPPORTS LEDiL , ANGELA, AND ANGELINA
- SUPPORTED COB MANUFACTURERS: CREE
- STANDARDIZED MOUNTING SCREW LOCATIONS MAKES CHANGES TO OTHER ARRAYS AND REFLECTORS SIMPLE

APPLICATION:

MECHANICAL:



MOUNTING HOLE SPACING: 1.97 IN (50.0 mm)
SCREW SIZE: M3
SCREW TORQUE: 1.0 IN-LB (0.1 Nm)

PHYSICAL:

STANDARDS & SPECIFICATIONS:

HOUSING: POLYCARBONATE
TEMPERATURE: 90°C (194°F)
COLOR: WHITE
FLAME RATING: 94 V-2

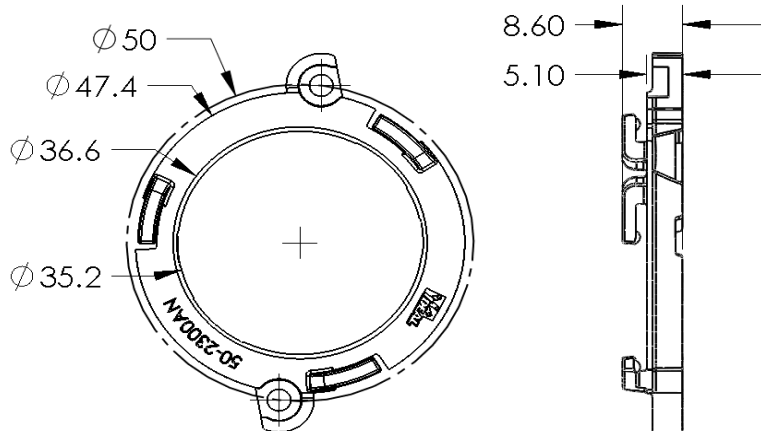
-RoHS AND REACH COMPLIANT

COMPATABILITY CHART:

Ledil Family	Angela/Angelina		
IDEAL Catalog No.	IDEAL 50-2300AN	IDEAL Holder	IDEAL Holder Family
Cree CX 35	•	50-2303CR	Chip-Lok

ORDERING INFO:

CATALOG # 50-2300AN	REFLECTOR DESCRIPTION ANGELA / ANGELINA	PACKAGE TYPE: 320 PIECE	WEIGHT LBS (KG) 2.8 (1,3)
------------------------	--	----------------------------	------------------------------



50-2300AN



50-2000MR

CHIP-LOK™ REFLECTOR ADAPTOR

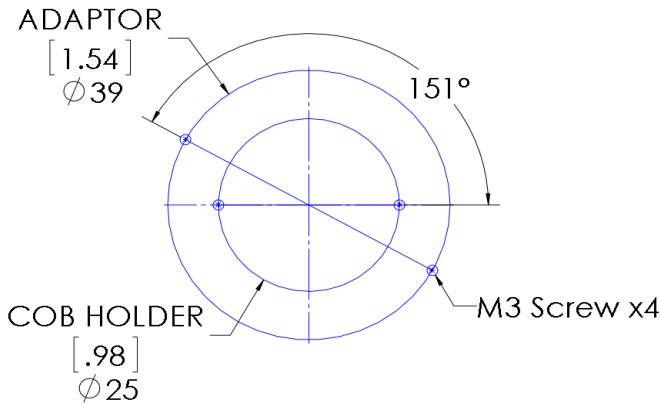
FOR USE WITH LEDiL REFLECTORS

FEATURES/BENEFITS:

- OPTICALLY EFFICIENT ADAPTOR ENABLES EASY ATTACHMENT OF LEDiL REFLECTORS WITH CHIP-LOK LED ARRAY HOLDERS.
- REFLECTOR INTERFACE SUPPORTS LEDiL , MIRELLA
- SUPPORTED COB MANUFACTURERS: CREE, CITIZEN, NICHIA, SHARP, LUMILEDS
- STANDARDIZED MOUNTING SCREW LOCATIONS MAKES CHANGES TO OTHER ARRAYS AND REFLECTORS SIMPLE

APPLICATION:

MECHANICAL:



MOUNTING HOLE SPACING: 1.53 IN (39.0 mm)
 SCREW SIZE: M3
 SCREW TORQUE: 1.0 IN-LB (0.1 Nm)

PHYSICAL:

STANDARDS & SPECIFICATIONS:

HOUSING: POLYCARBONATE
 TEMPERATURE: 90°C (194°F)
 COLOR: WHITE
 FLAME RATING: 94 V-2

-RoHS AND REACH COMPLIANT

COMPATABILITY CHART:

Ledil Family	Mirella	IDEAL Holder	IDEAL Holder Family
IDEAL Catalog No.	IDEAL 50-2000MR		
Citizen CLU02x	•	50-2002CT	Chip-Lok Jr.
Cree CX_13	•	50-2000CR	Chip-Lok Jr.
Cree CX_15	•	50-2001CR	Chip-Lok Jr.
Lumileds 1202s	•	50-2000P	Chip-Lok Jr.
Nichia NTCxS024B, NJCxS024Z	•	50-2000P	Chip-Lok Jr.
Sharp Mini ZENIGATA	•	50-2000P	Chip-Lok Jr.

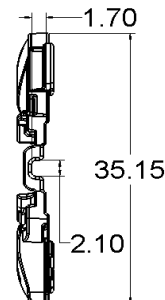
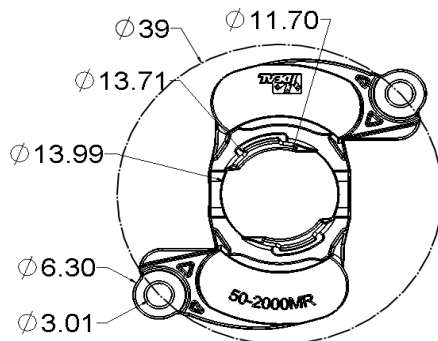
ORDERING INFO:

CATALOG # 50-2000MR

REFLECTOR DESCRIPTION MIRELLA

PACKAGE TYPE: 500 PIECE

WEIGHT LBS (KG) 2.8 (1,3)



50-2000MR