


PCB TERMINAL BLOCKS

5mm Pitch Low Profile Screw Terminal Blocks

- 2 & 3 pole interlocking
- 4-12 pole solid block end stackable
- Test probe facility
- Moulded in grey UL94-V0 flame retardant PC
- Wire protector terminals
- 0.5-1.5mm² (30-14AWG) solid cable
- 0.5-1.0mm² (30-14AWG) stranded cable
- Guided pin alignment
- Anti solder wicking terminal
-  approved

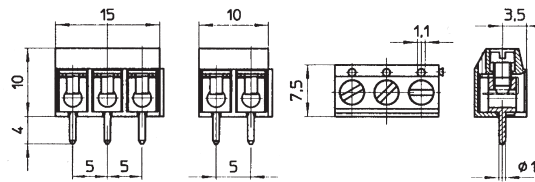
CTB5000




TYPE NO.	POLES	LENGTH
CTB5000/2	2	10mm
CTB5000/3	3	15mm
CTB5000/4	4	20mm
CTB5000/5	5	25mm
CTB5000/6	6	30mm
CTB5000/7	7	35mm
CTB5000/8	8	40mm
CTB5000/9	9	45mm
CTB5000/10	10	50mm
CTB5000/11	11	55mm
CTB5000/12	12	60mm

SPECIFICATION

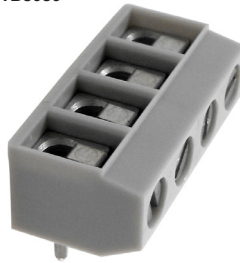
Rating	13.5A/250V UL=14A/300V, VDE&IMQ=13.5A/250V
Dielectric strength	≥2kV
Impulse withstand voltage	4kV
Working temperature	85°C
Moulding	UL94-V0 flame retardant PC
Pin/terminal	Tinned, nickel plated brass
Wire protector	Tin plated phosphor bronze
Screw/torque	M2.5 steel zinc plated, 0.4Nm
Recommended PCB hole size	ø1.1mm



5mm Pitch Low Profile 90° Screw Terminal Blocks

- 2 & 3 pole interlocking
- 4-12 pole solid block
- Test probe facility
- 90° Mounting
- Moulded in grey UL94-V0 flame retardant PC
- Wire protector terminals
- 0.5-1.5mm² (30-14AWG) solid cable
- 0.5-1.0mm² (30-14AWG) stranded cable
- Anti solder wicking terminal
- Guided pin alignment
-  approved

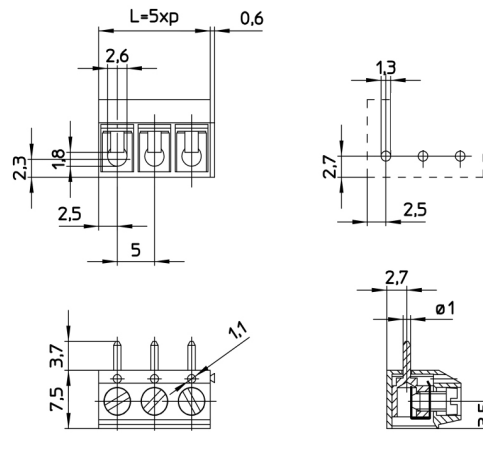
CTB5050



TYPE NO.	POLES	LENGTH
CTB5050/2	2	10mm
CTB5050/3	3	15mm
CTB5050/4	4	20mm
CTB5050/5	5	25mm
CTB5050/6	6	30mm
CTB5050/7	7	35mm
CTB5050/8	8	40mm
CTB5050/9	9	45mm
CTB5050/10	10	50mm
CTB5050/11	11	55mm
CTB5050/12	12	60mm

SPECIFICATION

Rating	13.5A/250V UL=14A/300V, VDE&IMQ=13.5A/250V
Dielectric strength	≥2kV
Impulse withstand voltage	4kV
Working temperature	85°C
Moulding	UL94-V0 flame retardant PC
Pin/terminal	Tinned, nickel plated brass
Wire protector	Tin plated phosphor bronze
Screw/torque	M2.5 steel zinc plated, 0.4Nm
Recommended PCB hole size	ø1.1mm



PCB
TERMINAL
BLOCKS

INTER-
CONNECTION

FUSES &
FUSE-
HOLDERS

LEDs &
INDICATORS

MINIATURE
SWITCHES

LIMIT &
SAFETY
SWITCHES

CONTROL
PRODUCTS

INTERFACE
MODULES &
SUPPORTS

RELAY
BASES

DIN RAIL
ENCLOSURES

BATTERIES

SOLAR
PANELS

TRANS-
FORMERS