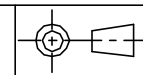
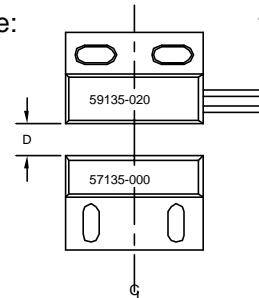


ELECTRICAL

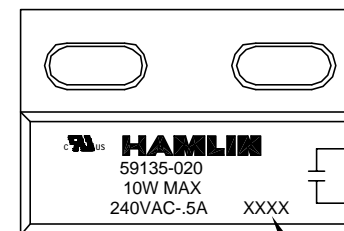
Contact Type: Form A
 Contact Rating: 10 W Max.
 Voltage, Switching: 200 V DC Max.
 240 V AC RMS Max.
 Voltage, Breakdown: 450 V DC Min.
 Current, Switching: 0.5 A DC Max.
 0.35 A AC RMS Max.
 Current, Carry: 0.5 A DC Max.
 0.35 A AC RMS Max.
 Contact Resistance, Initial: .200 Ohm Max.
 (Including Leads)

PHYSICAL

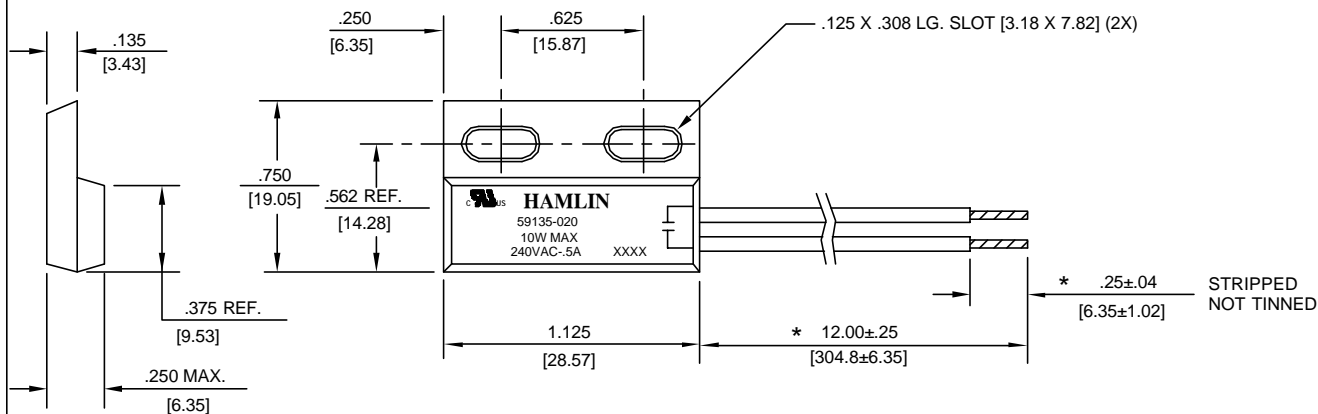
Case: Black Thermoset Epoxy
 Leads: 20 AWG FEP UL1332 WHITE
 Actuator: 57135-000
 Actuate Distance: .350 [8.89] Min.
 Deactuate Distance: 1.150 [29.21] Max.



IDENTIFICATION



4 DIGIT DATE CODE



Dimensions are in Inches [mm]

Tolerances unless otherwise noted:

.X: ±.015, .XX: ±.010, .XXX: ±.005, Angular: ±1/2°

* Denotes Critical Assembly Dimensions

ORIGINAL DCR NO. 1956		HAMLIN	PROPRIETARY NOTE: THE INFORMATION ON THIS DRAWING IS THE CONFIDENTIAL PROPERTY OF HAMLIN. THIS DRAWING MUST NOT BE MADE PUBLIC OR COPIED UNLESS AUTHORIZED IN WRITING BY HAMLIN. THIS DRAWING IS SUBJECT TO RETURN UPON DEMAND.	SHEET 1 of 1	DCR NO. L1894	REV. AJ
DRAWN BY: DB	DATE: 3/10/89			DESCRIPTION OF REVISION: UPDATE DRAWING FORMAT		DRAWN BY: KCL
APP'D BY: DB	DATE: 3/10/89			APP'D BY: CRM	DATE: 03-Nov-06	