



ENCLOSURE FOR COMMAND DEVICES, 22MM, ROUND, ENCLOSURE MATERIAL PLASTIC, YELLOW ENCLOSURE TOP PART, WITH PROTECTIVE COLLAR, 1 COMMAND POINT, A=EM. STOP MUSHROOM PUSHB. RED, 40MM, ROTATE-TO-UNLATCH, 1NC, SCREW TERMINAL, FLOOR MOUNTING, TOP AND BOTTOM 1 X M20 EACH !!! Phased-out product !!! SIRIUS ACT 3SU1 is successor Preferred successor type is >>3SU1801-0NA00-2AC2<<

Enclosure	
Design of the housing	Enclosure for command and signaling devices with standard equipment
Shape of the enclosure front	Square
Material of the enclosure	plastic
Number of command points	1
Product component	
• protective collar	Yes
Color	
• of top part of the enclosure	yellow
Delivery state	
• as a kit	No
• pre-wired on strip terminal	No
Mounting type of the enclosure	Vertical / horizontal
Actuator	
Design of the operating mechanism	Emergency stop mushroom pushbutton
Product feature	
• lockout	No
Product extension optional Light source	No

<b>Color</b>	
• of the actuating element	Red
<b>Material of the actuating element</b>	plastic
<b>Type of unlocking device</b>	rotate-to-unlatch mechanism

<b>Front ring</b>	
<b>Product component front ring</b>	No

<b>Holder</b>	
<b>Material of the holder</b>	Plastic

<b>Contact block/ lampholder</b>	
<b>Number of lampholders</b>	0
<b>Number of switching elements</b>	1

<b>General technical data</b>	
-------------------------------	--

<b>Product function</b>	
• positive opening	Yes
• EMERGENCY OFF function	Yes
• EMERGENCY STOP function	Yes

<b>Product component</b>	
• Light source	No
• Stand/pedestal	No

<b>Type of voltage</b>	
• of the operating voltage	AC/DC

<b>Protection class IP</b>	IP65
----------------------------	------

<b>Reference code acc. to DIN 40719 extended according to IEC 204-2 acc. to IEC 750</b>	S
---	---

<b>Reference code acc. to DIN EN 81346-2</b>	S
--	---

<b>Reference code acc. to DIN EN 61346-2</b>	S
--	---

<b>Operating voltage</b>	
• at AC	
— at 50 Hz rated value	5 ... 400 V
— at 60 Hz rated value	5 ... 300 V
• at DC	
— rated value	5 ... 230 V

<b>Operating voltage 1</b>	
• at AC	
— at 50 Hz rated value	400 V
— at 60 Hz rated value	300 V
• at DC rated value	230 V

<b>Auxiliary circuit</b>	
<b>Number of NC contacts for auxiliary contacts</b>	1
<b>Number of NO contacts for auxiliary contacts</b>	0

<b>Number of CO contacts</b>	
• for auxiliary contacts	0
<b>Operating current at AC-12</b>	
• at 24 V rated value	10 A
• at 48 V rated value	10 A
• at 110 V rated value	10 A
• at 230 V rated value	10 A
• at 400 V rated value	10 A
<b>Operating current at AC-15</b>	
• at 24 V rated value	6 A
• at 48 V rated value	6 A
• at 110 V rated value	6 A
• at 230 V rated value	6 A
• at 400 V rated value	3 A
<b>Operating current at DC-12</b>	
• at 24 V rated value	10 A
• at 48 V rated value	5 A
• at 110 V rated value	2.5 A
• at 230 V rated value	1 A
<b>Operating current at DC-13</b>	
• at 24 V rated value	3 A
• at 48 V rated value	1.5 A
• at 110 V rated value	0.7 A
• at 230 V rated value	0.3 A

### Connections/Terminals

<b>Type of electrical connection on enclosure</b>	Cable routing above, below / left, right, each 1 x M20
<b>Tightening torque of the screws in the bracket</b>	1 ... 1.2 N·m

### Safety related data

<b>B10 value</b>	
• with high demand rate acc. to SN 31920	100 000
<b>Proportion of dangerous failures</b>	
• with low demand rate acc. to SN 31920	20 %
• with high demand rate acc. to SN 31920	20 %
<b>Failure rate [FIT]</b>	
• with low demand rate acc. to SN 31920	100 FIT
<b>T1 value for proof test interval or service life acc. to IEC 61508</b>	20 y

### Ambient conditions

<b>Ambient temperature</b>	
• during operation	-25 ... +70 °C
• during storage	-40 ... +80 °C

Environmental category during operation acc. to IEC 60721	3K6
---	-----





### Installation/ mounting/ dimensions

• Mounting type of contact blocks, socket, and accessories	Floor mounting
(height)	85 mm
Width	85 mm
Depth	106 mm
Shape of the installation opening	round
(mounting diameter)	22 mm




### Accessories

Number of labels	0
Number of backing plates	0
Product component holder for 3 switching elements	No

### Certificates/approvals

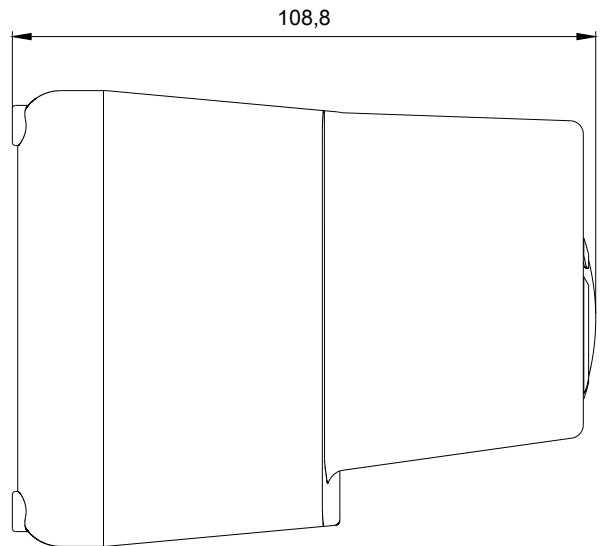
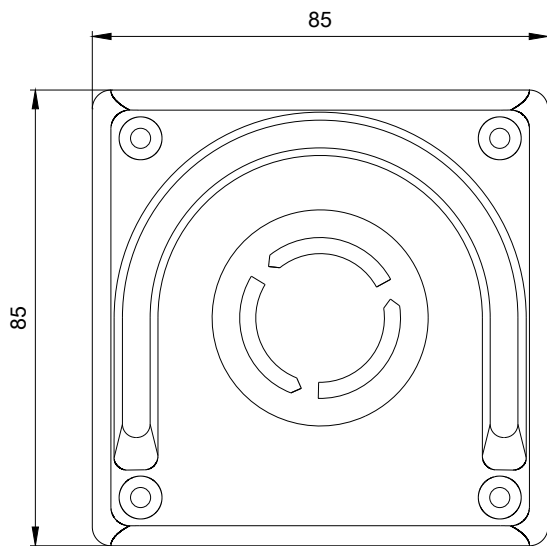
General Product Approval	Declaration of Conformity	Test Certificates
 CSA	 UL	 EAC
	 EG-Konf.	<a href="#">Miscellaneous</a> <a href="#">Special Test Certificate</a>

### Marine / Shipping

Marine / Shipping	other
 ABS	 LRS
 PRS	<a href="#">Environmental Confirmations</a> <a href="#">Confirmation</a>

### Further information

- Information- and Downloadcenter (Catalogs, Brochures,...)**  
<http://www.siemens.com/industrial-controls/catalogs>
- Industry Mall (Online ordering system)**  
<https://mall.industry.siemens.com/mall/en/en/Catalog/product?mlfb=3SB3801-0DF3>
- Cax online generator**  
<http://support.automation.siemens.com/WW/CAXorder/default.aspx?lang=en&mlfb=3SB3801-0DF3>
- Service&Support (Manuals, Certificates, Characteristics, FAQs,...)**  
<https://support.industry.siemens.com/cs/ww/en/ps/3SB3801-0DF3>
- Image database (product images, 2D dimension drawings, 3D models, device circuit diagrams, EPLAN macros, ...)**  
[http://www.automation.siemens.com/bilddb/cax\\_de.aspx?mlfb=3SB3801-0DF3&lang=en](http://www.automation.siemens.com/bilddb/cax_de.aspx?mlfb=3SB3801-0DF3&lang=en)



last modified:

04/08/2019