

PLEASE CHECK WWW.MOLEX.COM FOR LATEST PART INFORMATION

Part Number: [0353120260](#)
Status: **Active**
Description: 2.50mm Pitch Header, Vertical, Shrouded, with Positive Lock, 2 Circuits, PA Polyamide (Nylon) 6/6, Glass-filled, Natural

Documents:

| | |
|--|--|
| 3D Model | Packaging Specification PK-35312-013-001 (PDF) |
| Drawing (PDF) | Packaging Specification PK-35312-014-001 (PDF) |
| Product Specification PS-35155-002-001 (PDF) | RoHS Certificate of Compliance (PDF) |

Agency Certification

| | |
|-----|-------------|
| CSA | LR19980 |
| TUV | E9450420E01 |
| UL | E29179 |

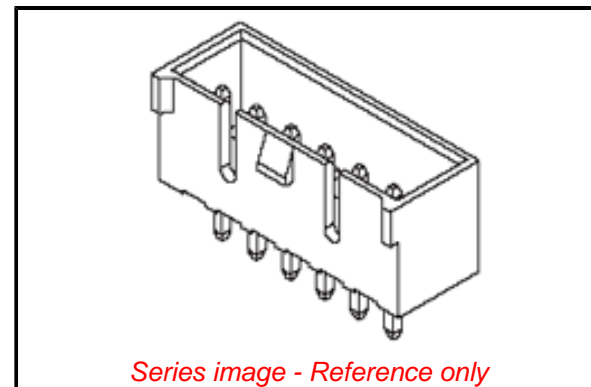
General

| | |
|----------------|-----------------------|
| Product Family | PCB Headers |
| Series | 35312 |
| Application | Signal, Wire-to-Board |
| Product Name | N/A |
| UPC | 822348778270 |

Physical

| | |
|--------------------------------|----------------|
| Breakaway | No |
| Circuits (Loaded) | 2 |
| Circuits (maximum) | 2 |
| Color - Resin | Natural |
| Durability (mating cycles max) | 30 |
| First Mate / Last Break | No |
| Flammability | 94V-0 |
| Glow-Wire Capable | No |
| Guide to Mating Part | No |
| Keying to Mating Part | None |
| Lock to Mating Part | Yes |
| Material - Plating Mating | Tin |
| Material - Plating Termination | Tin |
| Material - Resin | Nylon |
| Net Weight | 0.275/g |
| Number of Rows | 1 |
| Orientation | Vertical |
| PC Tail Length | 3.40mm |
| PCB Locator | No |
| PCB Retention | None |
| PCB Thickness - Recommended | 1.60mm |
| Packaging Type | Bag |
| Pitch - Mating Interface | 2.50mm |
| Pitch - Termination Interface | 2.50mm |
| Plating min - Mating | 5.080µm |
| Plating min - Termination | 5.080µm |
| Polarized to PCB | No |
| Shrouded | Partial |
| Stackable | No |
| Surface Mount Compatible (SMC) | No |
| Temperature Range - Operating | -40° to +105°C |
| Termination Interface: Style | Through Hole |

Electrical



Series image - Reference only

EU ELV

Not Relevant

EU RoHS

Compliant

REACH SVHC

Not Contained Per
-ED/88/2018 (15
January 2019)

Halogen-Free

Status

Not Low-Halogen

For more information, please visit [Contact US](#)

China ROHS

ELV

RoHS Phthalates

China RoHS

Green Image

Not Relevant

Not Contained

Search Parts in this Series

[35312](#) Series

Mates With

Wire-to-Wire and Wire-to-Board Housing
[35572](#) Crimp Housing, [35155](#)

Current - Maximum per Contact 3.0A
Voltage - Maximum 250V

Material Info

Reference - Drawing Numbers

Packaging Specification PK-35312-013-001, PK-35312-014-001
Product Specification PS-35155-002-001
Sales Drawing SD-35312-001, SD-35312-004, SD-35312-005

This document was generated on 04/15/2019

PLEASE CHECK WWW.MOLEX.COM FOR LATEST PART INFORMATION