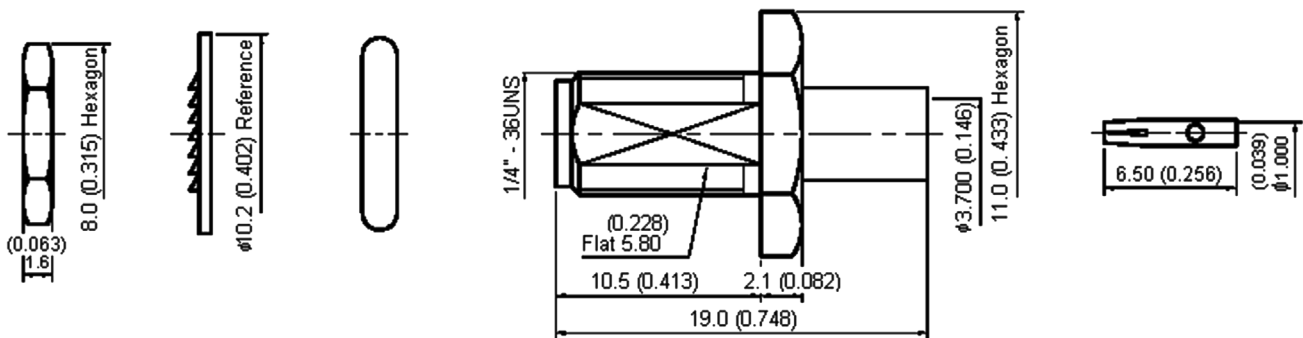


SMA Bulkhead Jack



Specifications:

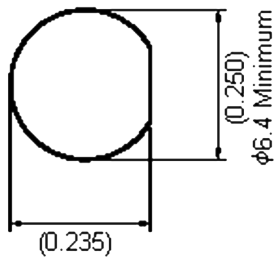
Connector Type	: SMA Coaxial
Body Style	: Bulkhead Jack
Coaxial Termination	: Solder
Impedance	: 50Ω
Coaxial Cable Types	: RG-402
Contact Material	: Beryllium Copper
Contact Plating	: Gold
Connector Mounting	: Cable
Contact Resistance	: 3mΩ
Insulation Resistance	: 5,000MΩ
Insulator Material	: PTFE
Mounting Type	: Cable
No. of Mating Cycles	: 500
Operating Temperature	: -65°C to +165°C
Connector interface per MIL-STD-348A.	
Part to be clean and free of burrs.	



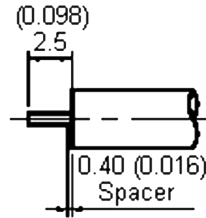
Dimensions : Millimetres (Inches)



SMA Bulkhead Jack



(0.235)
6.0 Minimum
Mounting Hole



Stripping Dimension

Dimensions : Inches (Millimetres)

Number	Description	Material	Finish
1	Nut	Stainless Steel	Gold
2	Washer	Brass	
3	O-Ring	Silicone	Black
4	Insulation	PTFE	None
5	Body	Stainless Steel	Gold 3μ" Min.
6	Centre Contact	Beryllium Copper	Gold 50μ" Min.

Part Number Table

Description	Part Number
Jack SMA, Bulkhead, RG402U, Solder	19-58W-5-TGG

Important Notice : This data sheet and its contents (the "Information") belong to the members of the Premier Farnell group of companies (the "Group") or are licensed to it. No licence is granted for the use of it other than for information purposes in connection with the products to which it relates. No licence of any intellectual property rights is granted. The Information is subject to change without notice and replaces all data sheets previously supplied. The Information supplied is believed to be accurate but the Group assumes no responsibility for its accuracy or completeness, any error in or omission from it or for any use made of it. Users of this data sheet should check for themselves the Information and the suitability of the products for their purpose and not make any assumptions based on information included or omitted. Liability for loss or damage resulting from any reliance on the Information or use of it (including liability resulting from negligence or where the Group was aware of the possibility of such loss or damage arising) is excluded. This will not operate to limit or restrict the Group's liability for death or personal injury resulting from its negligence. Multicomp is the registered trademark of the Group. © Premier Farnell plc 2012.

www.element14.com
www.farnell.com
www.newark.com

