

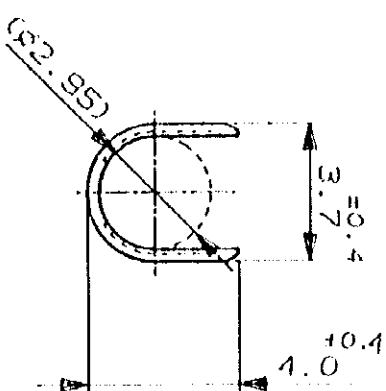
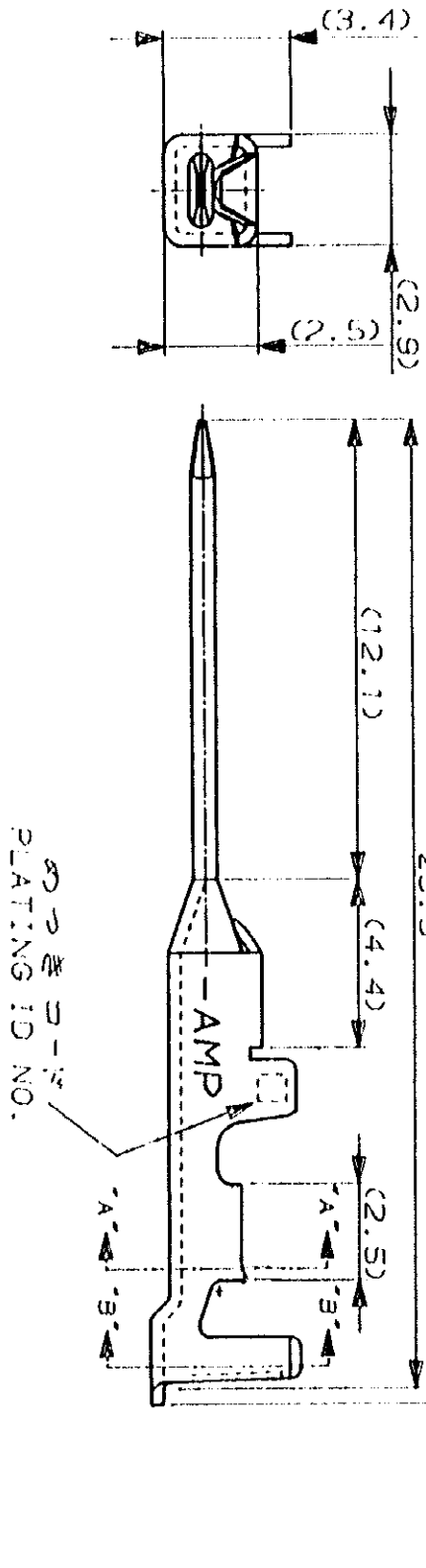
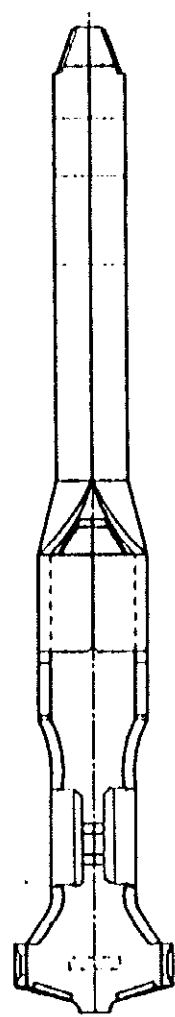
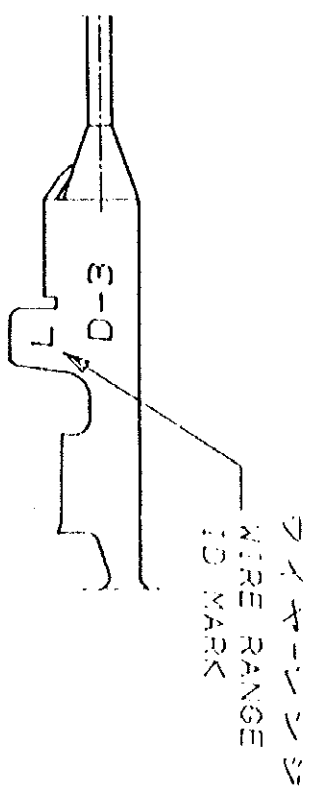
NUMBER
C-175289

METRIC
三角法 (3rd ANGLE PROJECTION)

METRIC

U.855-111>U.DWG>S.C89-25173 WAS 91-25168-12,14,15
単位: 単位 DIMENSIONS IN MM. DO NOT SCALE PRINT PROJ NO 391-604

PRINT DIST



175289-3
175289-2

注記

△ 金めっきは突起部のみとする

NOTE

△ GOLD-PL. CONTACT AREA ONLY

REV.	DESCRIPTION	DATE	CHK.	DATE
01	REVISED (5/17/71)	5/17/71	SM	5/17/71
0	RELEASED (5/17/71)	5/17/71	NM	5/17/71
LTR	変更 (REVISION RECORD)	DR	CHK	DATE

5	光沢鍍めつき (BRIGHT TIN-PL.)	仕上 (FINISH)	175289-2
3	△ 0.75μm最小空めつき (0.75μm MIN. AU-PL.)	仕上 (FINISH)	175289-3
2	△ 0.38μm最小空めつき (0.38μm MIN. AU-PL.)	仕上 (FINISH)	175289-2

AMP

Tokyo, Japan

DYNAMIC D-3 SERIES TAB CONTACT

"L" SIZE LOOSE PIECE

SIZE LOC (NO.)
B J C-175289

REV. 01 SHEET 1 OF 1

CUSTOMER DRAWING 参考面