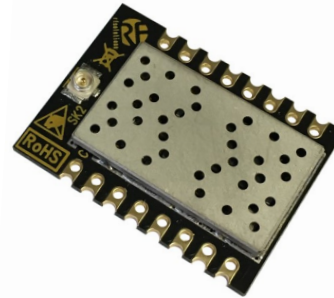


## 2.4GHz LoRa Transceiver

### Features

- Long Range 2.4GHz RF Module
- Integrated LoRa™ Transceiver **Semtech SX1280**
- Highly Efficient Integral Impedance Matching Network
- Provides Full Functionality of the RFIC:
- High sensitivity: down to -132 dBm
- RF Data Rate: FSK upto 2.02Mbps  
LoRa upto 476bps
- Transmit power +12.5 dBm at 24mA
- Supply Voltage 1.8—3.7V
- Rx Receive Current as low as 4.8mA
- Small Form Factor: 23mm x 20mm
- LoRa®, FLRC, (G)FSK supported modulations
- Low energy consumption, On-chip DC-DC
- Programmable bit rate
- Excellent blocking immunity
- BLE PHY layer compatibility
- Ranging Engine, Time-of-flight function
- CE Compliant & “Modular” FCC Certification Pending



### Applications

- RF Alarms
- Sensor networks
- Meter Reading
- Environmental Sensors
- Building Control & Automation
- Agricultural Applications

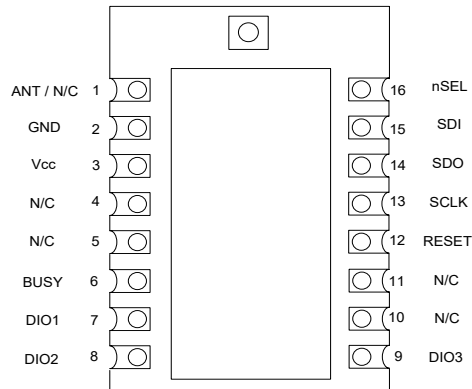
### Description

The LAMBDA80 RF module is an extremely high performance, cost effective radio module featuring the Semtech SX1280 LoRa™ long range providing ultra-long range, spread spectrum communication and high interference immunity within minimal current consumption operating at the only world wide acceptable 2.4GHz band.

This module including crystal, impedance matching network and track layout provide a simple digital interface and direct antenna connection. This enables a plug in RF solution with maximum efficiency. Programming of the module is via SPI interface.

The LAMBDA80 Module is CE compliant. Providing that certain procedures are followed.

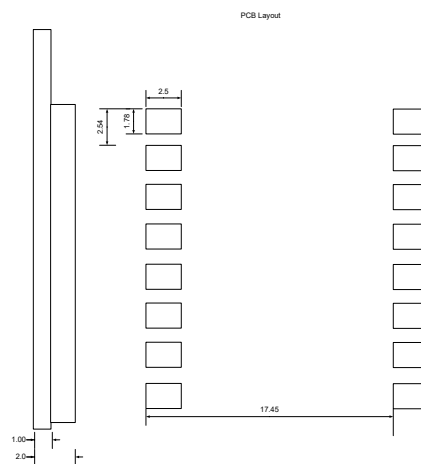
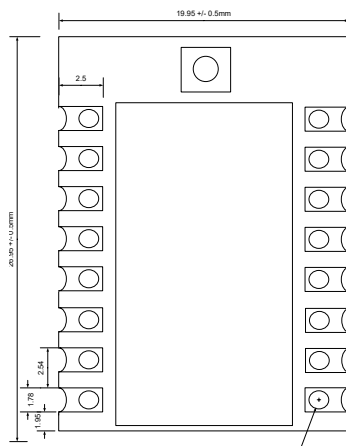
## Pin Description



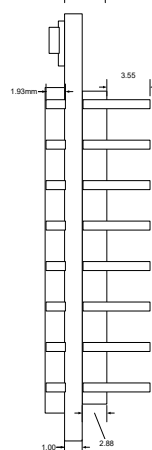
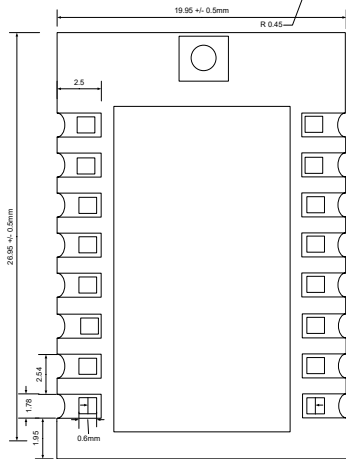
## Mechanical Dimensions

## Suggested Layout

### SMT Version



### DIP Version



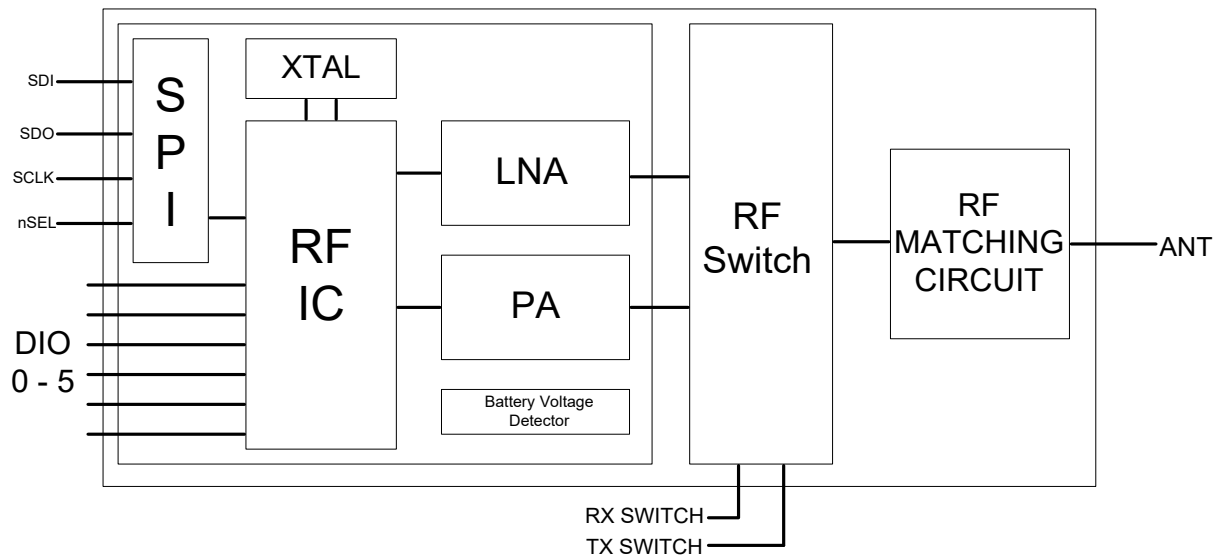
## Part Numbers

Part Number	Description	Package
LAMBDA80-24S	Transceiver Module, Open Module	SMT
LAMBDA80-24D	Transceiver Module, Open Module	DIP
LAMBDA80C-24S	Transceiver Module, Module with Screen Can	SMT
LAMBDA80C-24D	Transceiver Module, with Screen Can	DIP

## Pin Description

Pin	Definition	Direction	Function
1	Antenna	In/Out	Open Versions: Antenna connection "C" Versions: No Connect
2	GND	-	Ground connection
3	Vcc	In	Power connection
4	N/C	-	No Connect
5	N/C	-	No Connect
6	Busy	Out	When active the Module is Busy processing data. Wait until low before accessing module
7	DIO1	In/Out	Digital I/O software configured
8	DIO2	In/Out	Digital I/O software configured
9	DIO3	In/Out	Digital I/O Software configured
10	N/C	-	No Connect
11	N/C	-	No Connect
12	RESET	In	Reset Trigger Input
13	Serial Clock	In	SPI Serial Clock Input
14	Serial Data Out	Out	SPI Serial Data Output
15	Serial Data In	In	SPI Serial Data Input
16	nSEL	In	Device Select Active Low

## Block Diagram



## Application Resources

The LAMBDA80 is a ready to use application of the Semtech SX1280.

Access to the programming and configuration of Semtech 1280 Transceiver are via the modules interface SPI line.

The LAMBDA80 has been developed with Semtech to provide a low cost platform application of the 1280 transceiver. This offers optimal design realisation and easy integration within the end application. The most important aspect of any RF Module is to maximise the performance of the transceiver at the external module pads.

In particular the impedance matching network which is the most sensitive section of the RF module design.

In order to maximise signal propagation to the external pad of the module, a specific layout is required which is not (usually) the smallest physical size (beware of small RF modules!).

Many RF Module manufacturers simply reproduce the IC manufacturers data characteristics where in practice the Module RF performance is considerably lower.

We have measured the conducted power transmitted from the LAMBDA80 ufl connector at +12.4dBm, which demonstrates the efficiency of the LAMBDA80 module.

To ensure that the latest details in programming this device are offered, we have not included the 1280's programming information in this document.

You can find the datasheet at the link below:

[https://www.rfsolutions.co.uk/downloads/1537522490DS\\_SX1280-1\\_V2.2\\_SEMTECH.pdf](https://www.rfsolutions.co.uk/downloads/1537522490DS_SX1280-1_V2.2_SEMTECH.pdf)

Programming, configuration and further resource data including;

LoRa Calculator: fast evaluation of link budget, time on air and energy consumption.

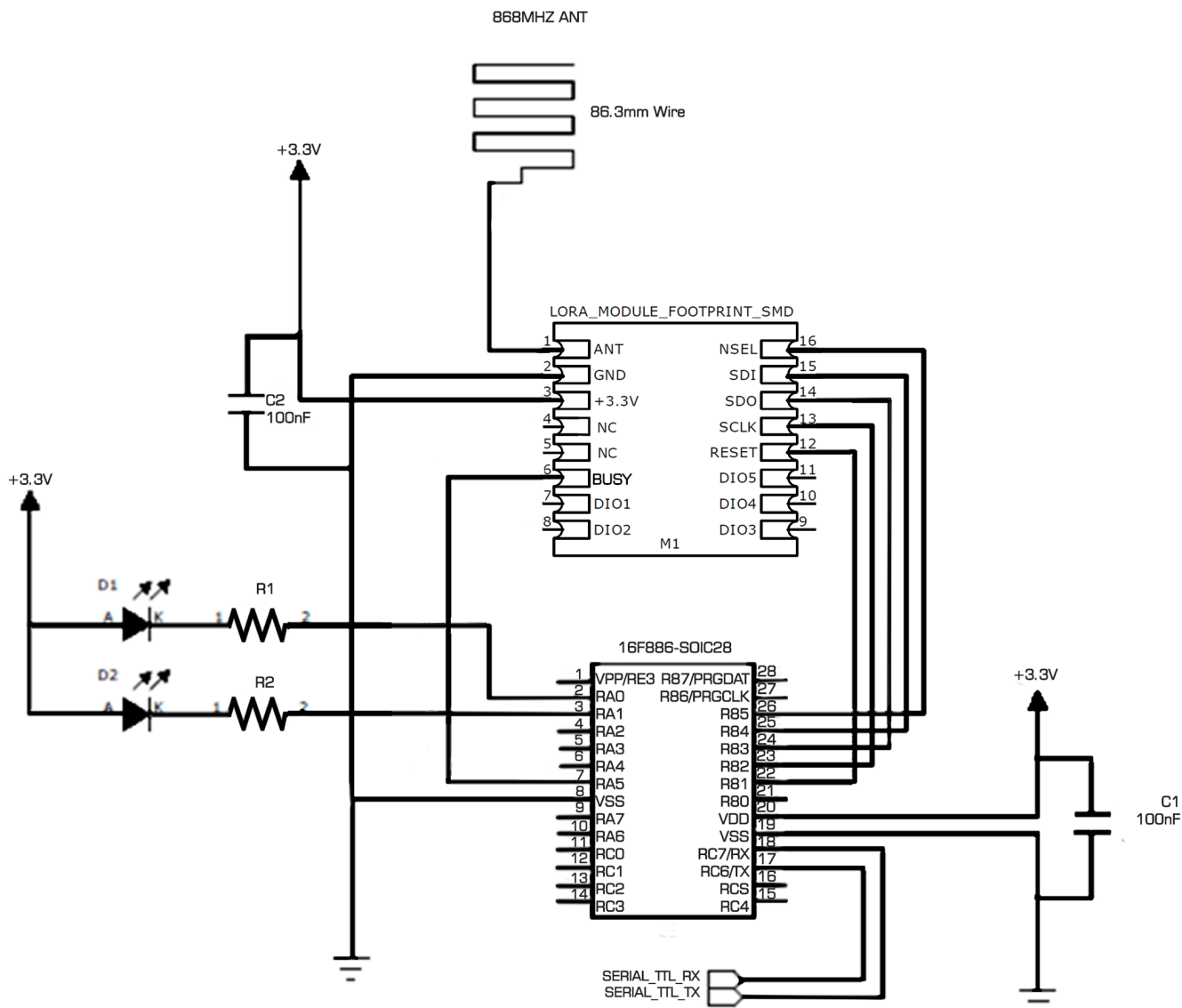
Packet Error Rate Firmware User Guide.

LoRa Modem Designer's Guide.

is available from Semtech at the below links

[Semtec Website](http://www.semtech.com)

## Application schematic Interfacing a PIC™ Micro Controller



The above schematic shows an easy interface to a PIC Microcontroller

This is the same application circuit that we used for range testing (please see our range test information later in the document).

We also have application source code available for download on our website. This configures the RF LoRa Module for maximum range.

### Walk Test application

Also available is the source code used to carry out a simple range test.

In order to use this two application boards are required, one acts as a beacon transmitter, the other as the beacon receiver. The TX board will illuminate the GREEN LED when transmitting and the Receiver will illuminate the RED LED when RECEIVING

The Transmitter board transmits an RF beacon every second (Green LED flashes to indicate transmission).

This enables a one man range test, by placing either board in a fixed location and monitoring the beacon signals.

## Electrical Specifications

### Absolute Maximums

Symbol	Parameter	Minimum	Maximum	Unit
$V_{dd}$	Positive power supply	-0.5	+3.9	V
$V_{in}$	Voltage on Digital Inputs	-0.3	$V_{dd}+0.3$	V
RX	Max Rx input power		+10	dBm
$T_{st}$	Storage temperature	-55	115	°C

### Recommended Operating Conditions

Symbol	Parameter	Minimum	Maximum	Unit
$V_{dd}$	Positive power supply	1.8	3.7	V
$T_{op}$	Working temperature	-40	85	°C

## General Electrical Specifications

Symbol	Description	Min	Typ	Max	Unit
IDDSTDBYRNC	Supply Current in STDBY_RC Mode		700		uA
IDDSTDBYXOSC	Supply Current in STDBY_XOSC Mode		1		mA
IDDFS	Supply Current in FS Mode		2.8		mA
FR	Synthesizer Frequency Range	2400		2500	MHz
FSTEP	Synthesizer Frequency Step (52MHz Ref)		198		Hz
PHN	Phase Noise at 2.45GHz 1MHz Offset 10MHz Offset		-115 -135		dBc/ Hz
FXOSC	Crystal Oscillator Frequency		52		MHz
TS_FS	Freq Synt wakeup time (XOSC Enabled)		54		uS
TS_HOP	Freq Synth Hop Time within 10KHz of target Freq 1MHz 10MHz 100MHz		20 30 50		uS
TX_OS	XTAL Osc wakeup time from STDBY_RC		40		uS

## Receiver Specifications

Symbol	Description	Typ	Max	Unit
IP3	3rd Order Input intercept for max Low Power Gain Setting In Band Interferer <6MHz In Band Interferer @ 6MHz In Band Interferer @ 10MHz In Band Interferer @ 20MHz		-25 -12 0 0	dBm
IMR	Image Rejection (CW Tone 1% PER)		30	dB

## Transmitter Electrical Specifications

Symbol	Description	Min	Typ	Max	Unit
IDD_T13	12.5dBm		24		mA
IDD_T10	10dBm		18		mA
IDD_T0	0dBm		10		mA
RFOPMIN	Min RF Output power		-18		dBm
RFOPMAX	Max RF Output power		12.5		dBm
FDA	Programmable FSK Frequency Deviation	62.5		1000	KHz

## LAMBDA80 Device Marking

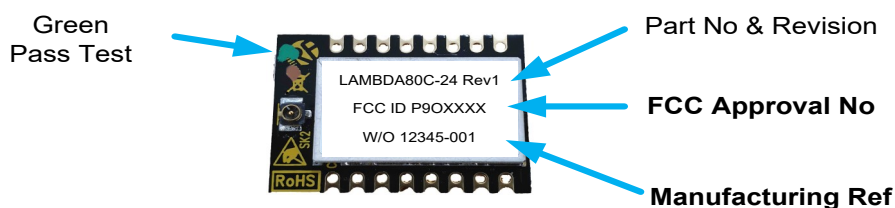
The LAMBDA80 module is available in two versions.

LAMBDA module is CE Compliant and at the time of writing is being submitted for modular FCC part 15 certification

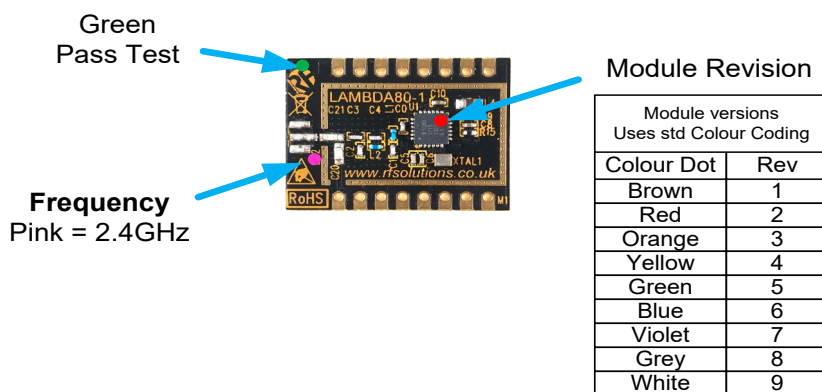
**Note:**

915MHz include a screening can shield and ufl antenna connector, (requirement for FCC modular approval)  
 868MHz versions antenna connection is via pin 1 of the module

### Module with Screen Can Fitted



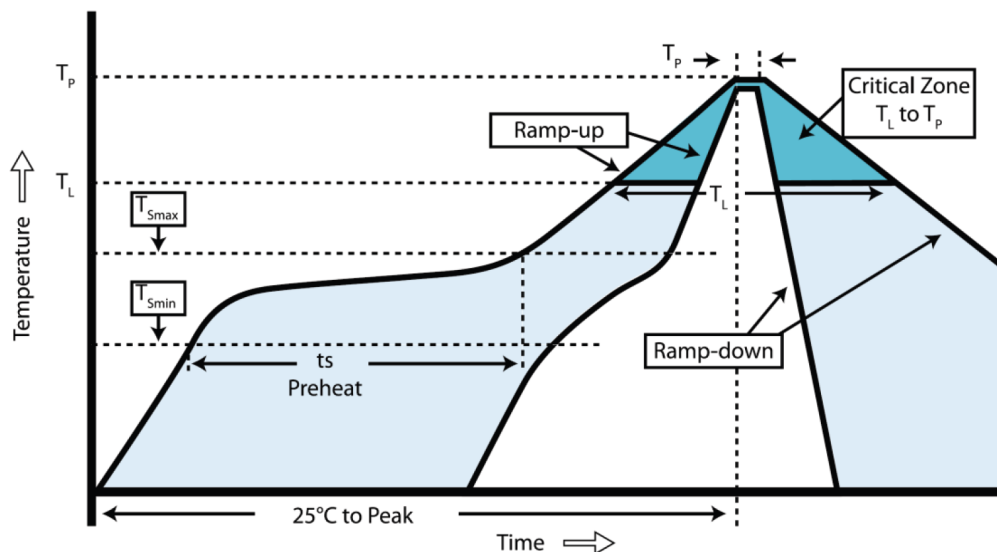
### Open Module Version



Module versions Uses std Colour Coding	
Colour Dot	Rev
Brown	1
Red	2
Orange	3
Yellow	4
Green	5
Blue	6
Violet	7
Grey	8
White	9



## Module re-flow guide



Profile feature	Value (lead free)
<b>Ramp up rate</b>	3°C /s
<b>Pre-heat Temperature</b> - Temperature Min ( $T_{smin}$ ) - Temperature Max ( $T_{smax}$ ) - Pre-heat time	150°C 200°C 60-100s
<b>Peak Temperature (<math>T_p</math>)</b>	240°C
<b>Time at <math>T_p</math></b>	10-20sec
<b>Ramp down rate</b>	6°C/s
<b>Time from 25°C to peak</b>	8 mins max.

### RF Solutions Ltd. Recycling Notice

Meets the following EC Directives:

#### DO NOT

Discard with normal waste, please recycle.

#### ROHS Directive 2002/95/EC

Specifies certain limits for hazardous substances.

#### WEEE Directive 2002/96/EC



Waste electrical & electronic equipment must be disposed of through a licensed WEEE collection point. RF Solutions Ltd., fulfills its membership of an approved compliance scheme.



ment. This product complies with WEEE obligations by membership of an approved compliance scheme.

#### Disclaimer:

Whilst the information in this document is believed to be correct at the time of issue, RF Solutions Ltd does not accept any liability whatsoever for its accuracy, adequacy or completeness. No express or implied warranty or representation is given relating to the information contained in this document. RF Solutions Ltd reserves the right to make changes and improvements to the product(s) described herein without notice. Buyers and other users should determine for themselves the suitability of any such information or products for their own particular requirements or specification(s). RF Solutions Ltd shall not be liable for any loss or damage caused as a result of user's own determination of how to deploy or use RF Solutions Ltd's products. Use of RF Solutions Ltd products or components in life support and/or safety applications is not authorised except with express written approval. No licences are created, implicitly or otherwise, under any of RF Solutions Ltd's intellectual property rights. Liability for loss or damage resulting or caused by reliance on the information contained herein or from the use of the product (including liability resulting from negligence or where RF Solutions Ltd was aware of the possibility of such loss or damage arising) is excluded. This will not operate to limit or restrict RF Solutions Ltd's liability for death or personal injury resulting from its negligence.