

SMA IP67 Bulkhead Jack-to-U.FL-LP-088 Right Angle Plug Cable Assembly



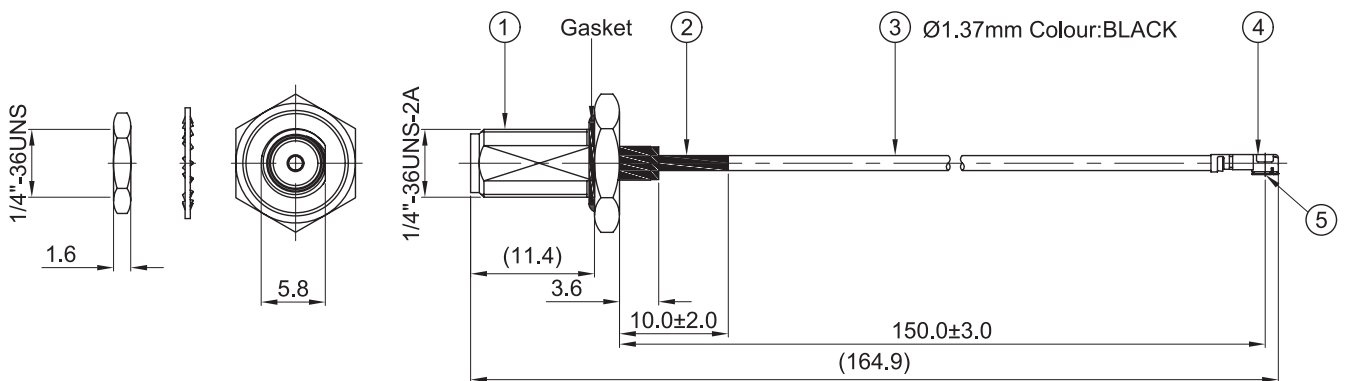
**RoHS
Compliant**



Electrical Performance

Impedance	: 50Ω
Frequency Range	: DC ~ 3GHz
Working Voltage	: 60Vrms Max.
Dielectric withstanding Voltage	: 200Vrms Max.
Insulator Resistance	: 500MΩ Min.
Cable Assy. Temperature Range	: -40°C to +70°C
Heat Shrink Temperature Range	: -40°C to +125°C

Diagram



Dimensions : Millimetres

No	Description	Qty.
1	Nut × 1, Washer × 1	1
	SMA B/H Jack crimp type for OD1.37mm Cable	
2	Heat Shrink Tube F32 OD2.5mm L=10mm Colour : Black	1
3	OD1.37mm tin plated cable grey jacket or other vender have same specification	1
4	U.FL-LP-088 Halogen Free Shell For OD1.37mm Cable	1
5	U.FL-LP-088 Contact for OD1.37mm Cable	1

Frequency	VSWR	Insertion Loss
DC ~ 3GHz	1.4:1 Max.	-0.8dB Max.

Part Number Table

Description	Part Number
SMA IP67 Bulkhead Jack-to-U.FL-LP-088 Right Angle Plug Cable Assembly	R-132G7210150CD

Important Notice : This data sheet and its contents (the "Information") belong to the members of the AVNET group of companies (the "Group") or are licensed to it. No licence is granted for the use of it other than for information purposes in connection with the products to which it relates. No licence of any intellectual property rights is granted. The Information is subject to change without notice and replaces all data sheets previously supplied. The Information supplied is believed to be accurate but the Group assumes no responsibility for its accuracy or completeness, any error in or omission from it or for any use made of it. Users of this data sheet should check for themselves the Information and the suitability of the products for their purpose and not make any assumptions based on information included or omitted. Liability for loss or damage resulting from any reliance on the Information or use of it (including liability resulting from negligence or where the Group was aware of the possibility of such loss or damage arising) is excluded. This will not operate to limit or restrict the Group's liability for death or personal injury resulting from its negligence. Multicomp is the registered trademark of Premier Farnell Limited 2019.

Newark.com/exclusive-brands
Farnell.com/exclusive-brands
Element14.com/exclusive-brands

