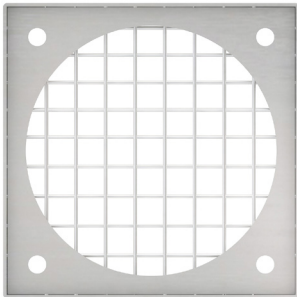


Fan Filter Assembly



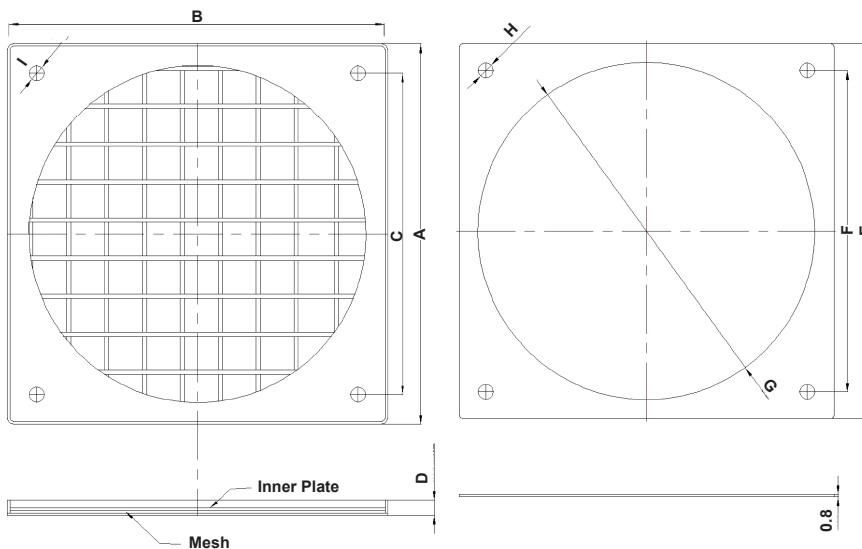
RoHS
Compliant



Specifications

Material : Bright Nickel Chrome Plating
Mesh 0.75mm Dia. Steel Weld Mesh 4 hole/inch

Diagram



Part Number Table

Description	Dimensions (mm)									Part Number
	A	B	C	D	E	F	ØG	ØH	ØI	
40mm Fan Filter Assembly	45	45	32	4 ±0.2	43	32	36	4.2 ±0.2	4 ±0.1	MC011485
60mm Fan Filter Assembly	65	65	50	5 ±0.2	63	50	55	4 ±0.1	4 ±0.1	MC011486
80mm Fan Filter Assembly	84.5	84.5	71.5	5 ±0.2	82.5	71.5	74.5	5 ±0.1	5 ±0.1	MC011487
92mm Fan Filter Assembly	95	95	82.5	5 ±0.2	93	82.5	87	4.6 ±0.2	4 ±0.1	MC011488
120mm Fan Filter Assembly	124	124	104.8	5 ±0.2	122.2	104.8	110	5 ±0.1	5 ±0.1	MC011489

Tolerance: ±0.5mm

Important Notice : This data sheet and its contents (the "Information") belong to the members of the AVNET group of companies (the "Group") or are licensed to it. No licence is granted for the use of it other than for information purposes in connection with the products to which it relates. No licence of any intellectual property rights is granted. The Information is subject to change without notice and replaces all data sheets previously supplied. The Information supplied is believed to be accurate but the Group assumes no responsibility for its accuracy or completeness, any error in or omission from it or for any use made of it. Users of this data sheet should check for themselves the Information and the suitability of the products for their purpose and not make any assumptions based on information included or omitted. Liability for loss or damage resulting from any reliance on the Information or use of it (including liability resulting from negligence or where the Group was aware of the possibility of such loss or damage arising) is excluded. This will not operate to limit or restrict the Group's liability for death or personal injury resulting from its negligence. Multicomp is the registered trademark of Premier Farnell Limited 2019.

Newark.com/exclusive-brands
Farnell.com/exclusive-brands
Element14.com/exclusive-brands

