

### Overview

The DVI/Audio Extender Kit (500390) allows one DVI channel and one line level stereo audio channel to be transmitted to 230 ft (70 m) at all resolutions up to 1080p via one (1) Cat 5e/6 cable in a point-to-point configuration.

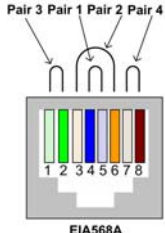
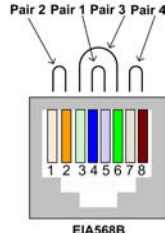


### Applications

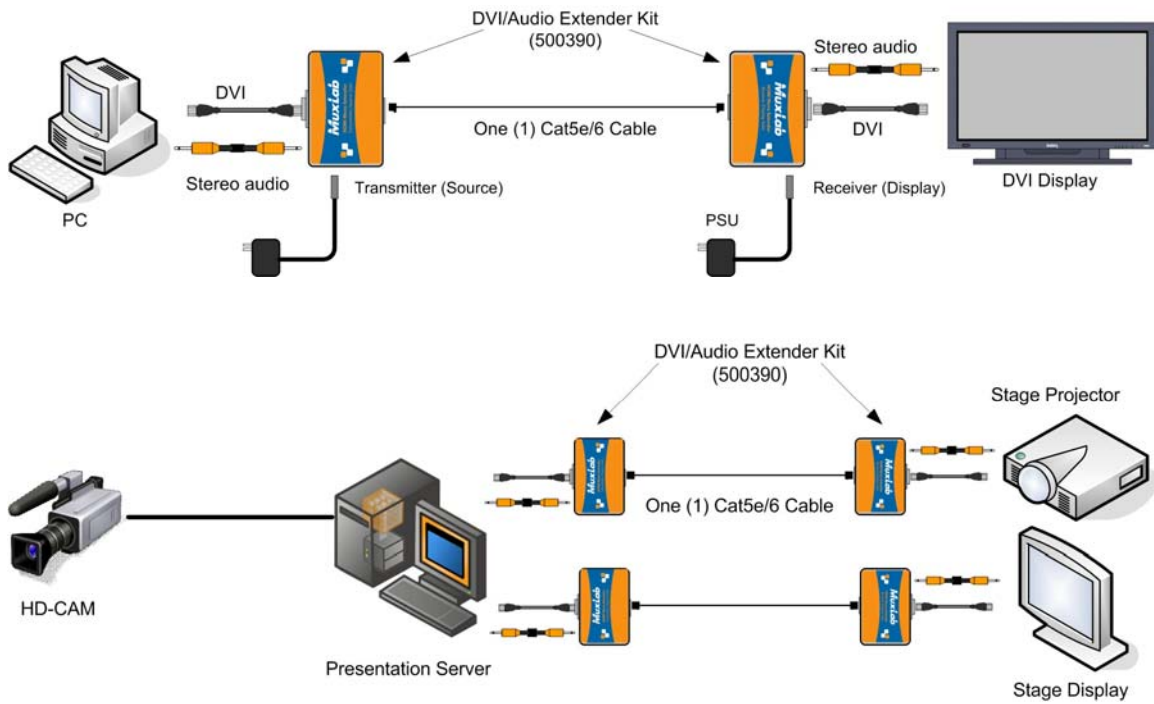
Commercial and residential AV systems, classroom projector systems, digital signage, boardroom systems, collaborative PC systems, medical information systems, video walls.

### Key Features

HDBaseT technology  
 Extends DVI and stereo audio via Cat5e/6 cable  
 Up to 230 ft (70m) at all resolutions up to 1080p via one Cat5e/6  
 Supports 4K up to 115 ft (35m)

Specifications	
<b>Environment</b>	DVI 1.0 (Single Channel), HDBaseT technology
<b>Devices</b>	DVD, plasma, projectors, monitors, TV, PC, laptops
<b>Transmission</b>	Transparent to the user
<b>Bandwidth</b>	340 MHz
<b>Signals</b>	DVI 1.0 protocol
<b>Audio</b>	Does not embed or de-embed audio over DVI. Transmits audio in common mode over UTP and completely isolated from the DVI signal
<b>Connectors</b>	One (1) DVI-D receptacle One (1) RJ45S for Cat5e/6 link One (1) 3.5mm jack for line level stereo audio <i>Note: DVI and audio cables not included.</i>
<b>Max. Distance via Cat5e/6*</b>	All resolutions up to 1920x1200: 230 ft (70 m) 4K: (3840 X 2160/24,25,30 Hz): 115 ft (35m)
<i>*Based on a maximum length of 6.6 ft (2m) of DVI cable per end</i>	When installed in an electrically noisy environment, STP cable must be used. Also, cross-connection reduces the effective distance depending on the grade of twisted cable used.
<b>RJ45 Pin Configuration</b> Reverse Polarity Sensitive Use EIA/TIA 568 A or B, straight-through wiring.	<b>RJ45</b> Pin 1 (R) Pin 2 (T) Pin 3 (R) Pin 6 (T) Pin 4 (R) Pin 5 (T) Pin 7 (R) Pin 8 (T) <div style="display: flex; justify-content: space-around; align-items: center; margin-top: 10px;"> <div style="text-align: center;">  <p>EIA568A</p> </div> <div style="text-align: center;">  <p>EIA568B</p> </div> </div>
<b>Cable</b>	One (1) Cat5e/6 or better twisted pair cable required.
<b>Power Supply</b>	Two (2) 110-240V/5VDC power supply with interchangeable blades included
<b>Power Consumption</b>	Transmitter: 1.6 Watt Receiver: 3.2 Watt
<b>Temperature</b>	Operating: 0° to 40° C. Storage: -20° to 85° C. Humidity: up to 95% non-condensing.
<b>Enclosure</b>	Aluminum
<b>Dimensions</b>	4.50" x 3.00" x 1.25" (11.4 x 7.6 x 3.2 cm)
<b>Weight</b>	2.6 lb (1.2 kg)
<b>Compliance</b>	Regulatory: FCC, CE, RoHS Flammability: 94V0
<b>Warranty</b>	2 years
<b>Order Information</b>	500390 DVI/Audio Extender Kit

## Typical Application



Rear panels