

**PLEASE CHECK WWW.MOLEX.COM FOR LATEST PART INFORMATION**

**Part Number:** [0955036451](#)  
**Status:** **Active**  
**Overview:** Magnetic and Modular Jacks/Plugs  
**Description:** Modular Jack, Vertical, Top Entry, Surface Mount, 4/4, Low Profile, Tube

**Documents:**

<a href="#">3D Model</a>	<a href="#">Packaging Specification PK-95003-003 (PDF)</a>
<a href="#">Drawing (PDF)</a>	<a href="#">Test Summary STR-1429-001 (PDF)</a>
<a href="#">Product Specification PS-95503-001-001 (PDF)</a>	<a href="#">RoHS Certificate of Compliance (PDF)</a>
<a href="#">Application Specification AS-85513-001-001 (PDF)</a>	<a href="#">Product Literature (PDF)</a>

**Agency Certification**

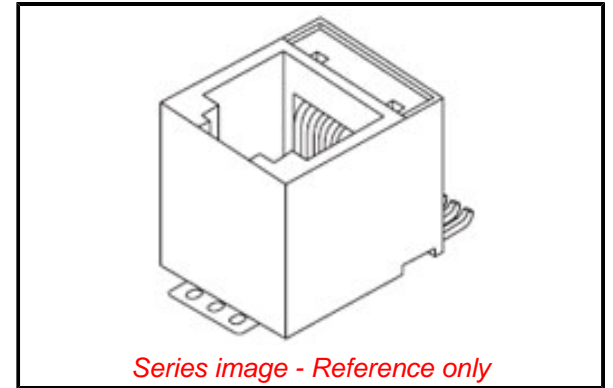
UL E107635

**General**

Product Family	Modular Jacks/Plugs
Series	<a href="#">95503</a>
Comments	Reflow Capable, Reflow Capable
Component Type	PCB Jack
Magnetic	No
Overview	<u>Magnetic and Modular Jacks/Plugs</u>
Performance Category	3
Power over Ethernet (PoE)	N/A
Product Literature Order No	987650-8441
Product Name	Modular Jack 4/4
UPC	800756804347

**Physical**

Boot Color	N/A
Color - Resin	Black
Durability (mating cycles max)	2500
Flammability	94V-0
Inverted / Top Latch	No
Jack Height	15.70mm
Keying to Mating Part	None
Lightpipes/LEDs	None
Material - Metal	Copper Alloy
Material - Plating Mating	Gold over Palladium Nickel
Material - Plating Termination	Tin
Material - Resin	High Temperature Thermoplastic
Net Weight	0.879/g
Orientation	Vertical (Top Entry)
PCB Locator	Yes
PCB Retention	Yes
PCB Thickness - Recommended	1.57mm
Packaging Type	Tube
Pitch - Mating Interface	1.02mm
Pitch - Termination Interface	1.27mm
Plating min - Mating	0.051µm, 1.016µm
Plating min - Termination	1.905µm
Port Configuration	1x1
Positions / Loaded Contacts	4/4
Surface Mount Compatible (SMC)	Yes
Temperature Range - Operating	-40° to +85°C
Termination Interface: Style	Surface Mount
Waterproof / Dustproof	No
Wire/Cable Type	N/A



**EU ELV**

**Not Relevant**

**EU RoHS**

**Compliant**

**REACH SVHC**

Not Contained Per  
-ED/88/2018 (15  
January 2019)

**Halogen-Free**

**Status**

**Low-Halogen**

For more information, please visit [Contact US](#)

China ROHS

ELV

RoHS Phthalates

**China RoHS**

Green Image

Not Relevant

Not Contained

**Search Parts in this Series**

[95503](#) Series

**Mates With**

[90075](#) Modular Plug

**Electrical**

Current - Maximum per Contact	1.5A
Shielded	No
Voltage - Maximum	125V DC

**Solder Process Data**

Duration at Max. Process Temperature (seconds)	040
Lead-free Process Capability	REFLOW
Max. Cycles at Max. Process Temperature	003
Process Temperature max. C	260

**Material Info****Reference - Drawing Numbers**

Application Specification	AS-85513-001-001
Packaging Specification	PK-95003-003
Product Specification	PS-95503-001-001
Sales Drawing	SD-95503-003
Test Summary	STR-1429-001

This document was generated on 04/29/2019

**PLEASE CHECK [WWW.MOLEX.COM](http://WWW.MOLEX.COM) FOR LATEST PART INFORMATION**