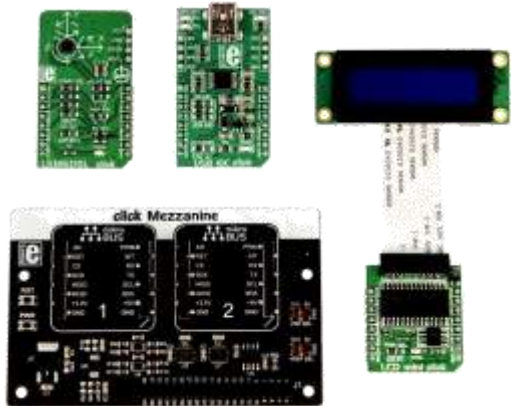


96Boards Click Mezzanine and 96Boards Click Mezzanine Starter Kit

The 96Boards Click Mezzanine allows engineers to connect their low-speed (LS) mezzanine to Click Boards. The mezzanine breaks out the LS header to two MikroBUS sites, each supporting one Click board. Through common interfaces such as UART, SPI, and I2C, the MikroBUS standard offers many 100's of sensor, display, storage, timing, mixed-signal, and audio Click boards.



FEATURES

- LS Mezzanine connectivity
- Two MikroBUS sites, with the following interfaces --UART
 - SPI
 - I2C
 - PWM
 - Analog input
- On-board ADC
- Additionally, the SK also includes three Click boards that add the following features:
 - 6 Degree-of-Freedom Inertial Measurement
 - 2x16 Character Display --USB-UART

To purchase this kit, visit <http://avnet.me/ClickMezzanine>

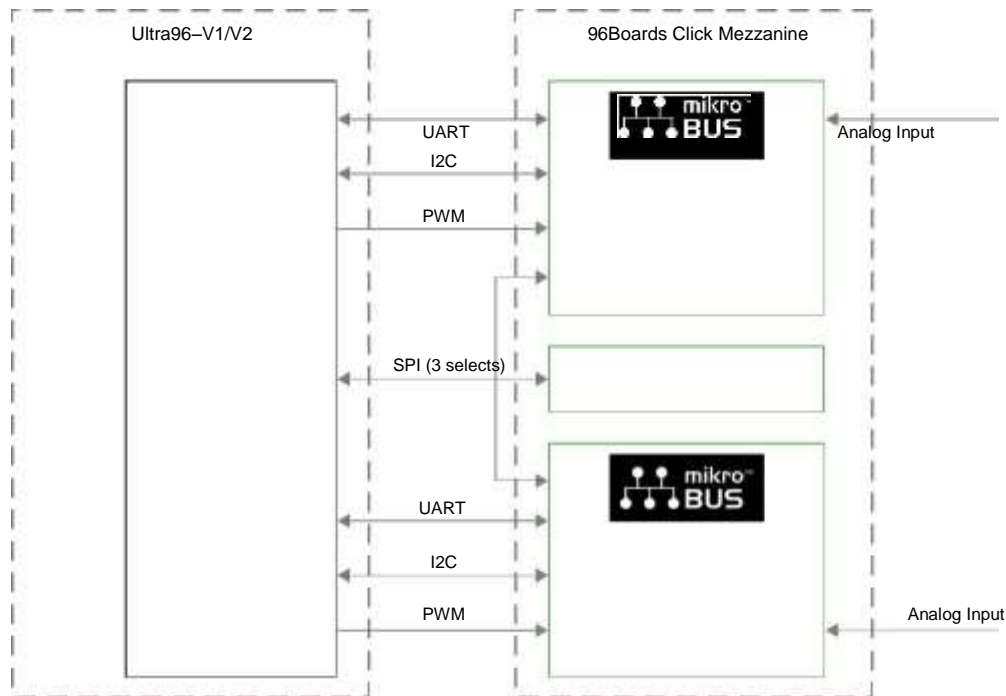
KIT INCLUDES

- 96Boards Click Mezzanine
- Additionally, the SK also includes three Click boards:
 - MIKROE-1985, USB-UART Click
 - MIKROE-2453, LCD Mini Click --
 - MIKROE-2731, LSM6DSL Click

TARGET APPLICATIONS

- Low-speed sensor
- Display
- Storage
- Timing
- Mixed-signal

BLOCK DIAGRAM



FEATURED MANUFACTURERS



PARTS

Part Number	Description
AES-ACC-U96-ME-MEZ	96Boards Low-Speed (LS) Mezzanine board provides two MikroElektronika MikroBUS sites. The Starter Kit bundles the mezzanine with three Click boards.
AES-ACC-U96-ME-SK	

RELATED PARTS

Part Number	Description
AES-ULTRA96-V2-G	ULTRA96-V2 board
MIKROE-1818	Click Board featuring Maxim Integrated MAX44000 Proximity sensor
MIKROE-1971	Click Board featuring ST Micro HTS221 temperature/humidity sensor
MIKROE-2665	Click Board featuring ST Micro LPS22HB digital barometer
AES-ACC-U96-4APWR	External 96Boards/Ultra96 compliant power supply kit (12V, 4A, International plugs)
AES-ACC-U96-JTAG	USB-to-JTAG/UART pod for Ultra96

Countries Available for Purchase: Americas, EMEA, APAC, Japan

CONTACT INFORMATION

North America
2211 S 47th Street
Phoenix, Arizona 85034
United States of America
eval.kits@avnet.com
1-800-585-1602

Europe (Silica)
Gruber Str. 60c
85586 Poing
Germany
marketing@silica.com
+49-8121-77702

Europe (EBV)
Im Technologypark 2-8
85586 Poing
Germany
http://ebv.com/contact

Japan
Yebisu Garden Place Tower, 23F
4-20-3 Ebisu, Shibuya-ku
Tokyo 150-6023 Japan
eval-kits-jp@avnet.com
+81-(0)3-5792-8210

Asia
151 Lorong Chuan #06-
03 New Tech Park
Singapore 556741
XilinxAPAC@avnet.com
+65-6580-6000