

Würth Elektronik eiSos GmbH &amp; Co. KG

EMC &amp; Inductive Solutions

Max-Eyth-Straße 1 · 74638 Waldenburg · Germany

Tel. +49 (0) 79 42 945-0 · Fax +49 (0) 79 42 945-400

eiSos@we-online.de · www.we-online.de



## Product / Process Change Notification (PCN)

- Major change  
 Minor change

**PCN #:** PCN\_FePF\_20190315  
**Affected Series:** WE-PF-1280; 7427929xxx  
**PCN Date:** March 06, 2019  
**Effective Date:** March 15, 2019

### Change Category:

- Equipment / Location  
 General Data  
 Material  
 Process  
 Product Design  
 Shipping / Packaging  
 Supplier  
 Software

**Contact:** Product Management  
**Phone:** +49 (0) 7942 - 945 5001  
**Fax:** +49 (0) 7942 - 945 5179  
**E-Mail:** pcn.eisos@we-online.com

### Data Sheet Change:

- Yes  No

### Attachment:

- Yes  No

### DESCRIPTION AND PURPOSE OF CHANGE:

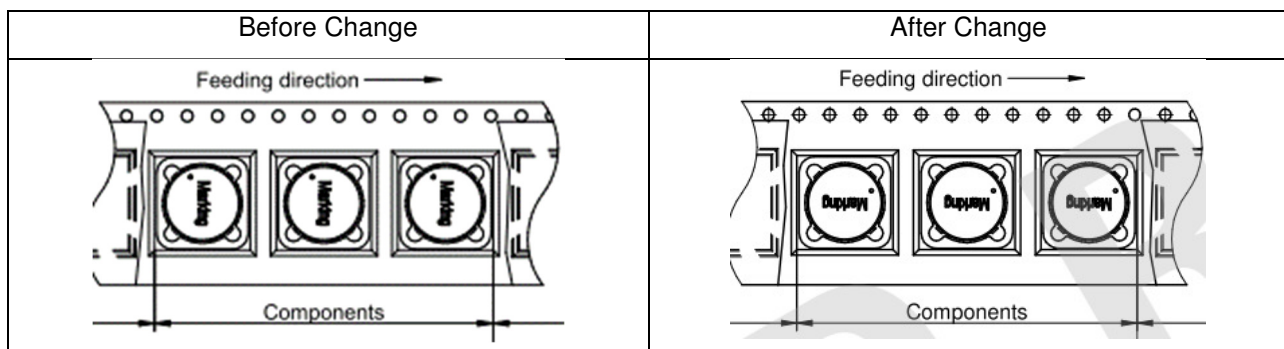
Because of a database mismatch, Würth Elektronik updates the orientation of the component in the carrier tape.

There will be no change in form, fit, function, quality or reliability of the product but only a correction to the datasheet.

### DETAIL OF CHANGE:

The orientation of the component in the carrier tape is different to the drawing in the datasheet. Because of this the datasheet will be updated to have the same orientation like the parts have it in the carrier tape.

The packing drawing in the datasheet will be updated like following:



### RELIABILITY / QUALIFICATION SUMMARY:

There will be no change to the product therefore no additional reliability or qualification testing performed.