

Plug / F Type

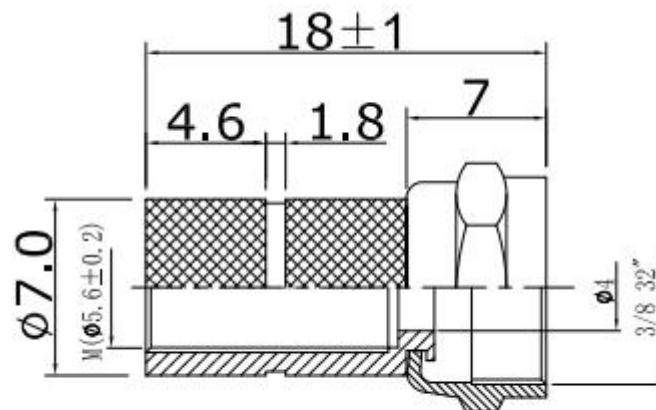


Specification:

Part Number:	PSG08513
Description:	F Connector Plug, 6mm, Twist On
Connector Type:	F Type
Gender:	Plug
Body Material:	Zinc Alloy,
Plating:	Nickle Plated

Standards:

RoHS compliant



Dimensions may differ from those shown