

XZCP0466L5

pre-wired connectors XZ - elbowed female - Ø 8 mm
- 3 pins - cable PUR 5m



Main

Accessory / separate part category	Cabling accessory
Accessory / separate part type	Pre-wired connectors
Series name	General purpose

Complementary

Electrical connection	Ø 8 mm, 3 pins elbowed female connector
Cable connector fixing	Clip-on
Status LED	2 NPN LEDs
Cable length	5 m
Cable outer diameter	5.2 mm
Cable composition	3 x 0.34 mm ²
Wire insulation material	PUR
[Ue] rated operational voltage	10...30 V DC
[In] rated current	4 A
Contact resistance	5000 µOhm
Insulating resistance	1 GΩ
Product weight	0.11 kg

Environment

IP degree of protection	IP65 IP67
product certifications	CULus
ambient air temperature for operation	-40...80 °C (static) -5...80 °C (flexing)
ambient air temperature for storage	-40...80 °C

Offer Sustainability

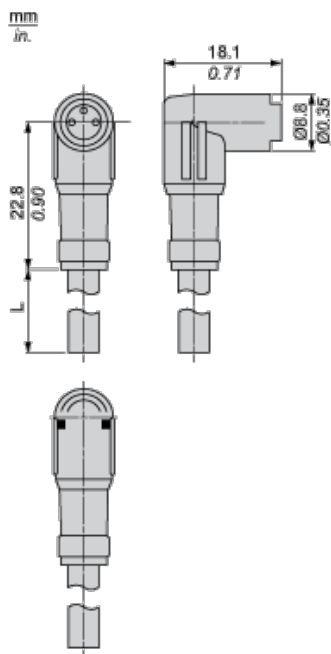
Sustainable offer status	Green Premium product
RoHS (date code: YYWW)	Compliant - since 0726 - Schneider Electric declaration of conformity
REACH	Reference not containing SVHC above the threshold
Product environmental profile	Available
Product end of life instructions	Available

Contractual warranty

Warranty period	18 months
-----------------	-----------

Dimensions

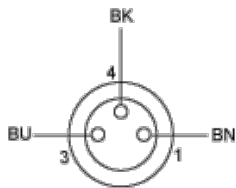
The information provided in this documentation contains general descriptions and/or technical characteristics of the products contained herein. This documentation is not intended as a substitute for and is not to be used for determining suitability or reliability of these products for specific user applications. It is the duty of any such user or integrator to perform the appropriate and complete risk analysis, evaluation and testing of the products with respect to the relevant specific application or use thereof. Neither Schneider Electric Industries SAS nor any of its affiliates or subsidiaries shall be responsible or liable for misuse of the information contained herein.



L : Length of cable

Connections and Schemes

Connector



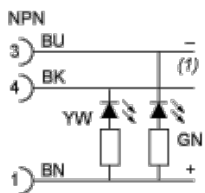
BU : Blue

BN : Brown

BK : Black

Connections and Schemes

LED Connection



BU : Blue

BK : Black

BN : Brown

GN : Green

YW : Yellow

(1) Signal