

# XZCR1512040A1

jumper cable XZ - male straight M12 3-pin - female  
elbowed M12 3-pin - PUR 1m



## Main

Accessory / separate part category	Cabling accessory
Accessory / separate part type	Jumper cable

## Complementary

Jumper cable end 1	M12 male, :3 pins (straight), fixing: screw-on
Jumper cable end 2	M12 female, :3 pins (elbowed), fixing: screw-on
Cable composition	3 x 0.34 mm <sup>2</sup>
Cable length	1 m
Wire insulation material	PUR
Cable outer diameter	5.2 mm
[Ue] rated operational voltage	250 V AC 300 V DC
[In] rated current	4 A
Insulation resistance	>= 1000 MOhm
Resistance across terminals	<= 5000 mOhm
Product weight	0.065 kg

## Environment

IP degree of protection	IP65 IP67 IP69K
product certifications	CULus
ambient air temperature for operation	-35...90 °C (static) -5...90 °C (flexing)
ambient air temperature for storage	-35...100 °C

## Offer Sustainability

Sustainable offer status	Green Premium product
RoHS (date code: YYWW)	Compliant - since 0649 - Schneider Electric declaration of conformity
REACH	Reference not containing SVHC above the threshold
Product environmental profile	Available
Product end of life instructions	Available

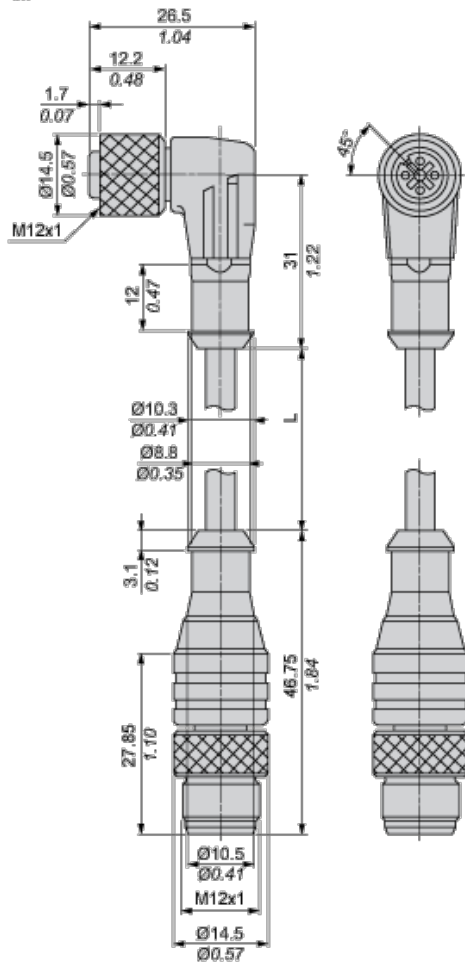
## Contractual warranty

Warranty period	18 months
-----------------	-----------

## Dimensions

The information provided in this documentation contains general descriptions and/or technical characteristics of the products contained herein. This documentation is not intended as a substitute for and is not to be used for determining suitability or reliability of these products for specific user applications. It is the duty of any such user or integrator to perform the appropriate and complete risk analysis, evaluation and testing of the products with respect to the relevant specific application or use thereof. Neither Schneider Electric Industries SAS nor any of its affiliates or subsidiaries shall be responsible or liable for misuse of the information contained herein.

mm  
in.



L : Length of cable

## Connections and Schemes

