

# ATV340D75N4E

variable speed drive - 75kW- 400V - 3 phase



## Main

Range of product	Altivar Machine ATV340
Product or component type	Variable speed drive
Device application	Machine
Device short name	ATV340
Variant	Standard version
Product destination	Asynchronous motors Synchronous motors
Mounting mode	Wall mount
EMC filter	Integrated with <= 15 category C3
IP degree of protection	IP20 conforming to IE IP20 conforming to IE
Degree of protection	UL type 1 conforming
Type of cooling	Forced convection
Supply frequency	50...60 Hz +/- 5 %
Network number of phases	3 phases
[Us] rated supply voltage	380...480 V - 15...10 %
Motor power kW	90 kW (normal duty) 75 kW (heavy duty)
Motor power hp	125 hp (normal duty) 100 hp (heavy duty)
Line current	156.2 A at 380 V with 135.8 A at 480 V with 134.3 A at 380 V with 118.1 A at 480 V with 134.3 A 118.1 A
Prospective line Isc	50 kA
Apparent power	112.9 kVA at 480 V (n) 98.2 kVA at 480 V (he)
Continuous output current	173 A at 4 kHz (norme) 145 A at 4 kHz (heavy)
Maximum transient current	217.5 A during 60 s (h) 207.6 A during 60 s (r) 207.6 A during 2 s (nc) 217.5 A during 2 s (he)
Asynchronous motor control profile	Constant torque stand Variable torque stand Optimized torque mo
Synchronous motor control profile	Permanent magnet r Reluctance motor
Speed drive output frequency	0.1...500 Hz
Nominal switching frequency	2.5 kHz
Switching frequency	1...8 kHz adjustable 2.5...8 kHz with
Safety function	STO (safe torque off)

## Complementary

Discrete input logic	16 preset speeds
Communication port protocol	Ethernet/IP Modbus serial Modbus TCP
Option card	Slot GP-X : digital and analog I/O extension module

The information provided in this documentation contains general descriptions and/or technical characteristics of the products contained herein. This documentation is not intended as a substitute for and is not to be used for determining suitability or reliability of these products for specific user applications. It is the duty of any such user or integrator to perform the appropriate and complete risk analysis, evaluation and testing of the products with respect to the relevant specific application or use thereof. Neither Schneider Electric Industries SAS nor any of its affiliates or subsidiaries shall be responsible or liable for misuse of the information contained herein.

Slot GP-X : output relay extension module  
 Slot GP-ENC : 5/12 V digital encoder interface module  
 Slot GP-ENC : analog encoder interface module  
 Slot GP-ENC : resolver encoder interface module

Output voltage	<= power supply voltage
Permissible temporary current boost	1.5 x In for 60 s (heavy duty) 1.2 x In for 60 s (normal duty)
Motor slip compensation	Adjustable Automatic whatever the load Can be suppressed Not available in permanent magnet motor law
Acceleration and deceleration ramps	S, U or customized Linear adjustable separately from 0.01...9999 s
Braking to standstill	By DC injection
Protection type	Motor: thermal protection Drive: thermal protection Drive: overheating Drive: line supply overvoltage Drive: line supply undervoltage Drive: break on the control circuit Motor: safe torque off Drive: safe torque off Drive: short-circuit between motor phases Motor: motor phase loss Drive: overcurrent Drive: output overcurrent between motor phase and earth Drive: output overcurrent between motor phases Drive: short-circuit between motor phase and earth Drive: motor phase loss Drive: DC Bus overvoltage Drive: input supply loss Drive: exceeding limit speed
Frequency resolution	Display unit: 0.1 Hz Analog input: 0.012/50 Hz
Electrical connection	Screw terminal with clamping capacity: 0.75...1.5 mm <sup>2</sup> , AWG 18...AWG 1 Screw terminal with clamping capacity: 120 mm <sup>2</sup> , AWG 4/0...250 kcmil o Screw terminal with clamping capacity: 95...120 mm <sup>2</sup> , AWG 3/0...250 kcr Screw terminal with clamping capacity: 120 mm <sup>2</sup> , 250 kcmil on motor
Connector type	Connector(s)1 x RJ45, Modbus serial on front face Connector(s)1 x RJ45, Modbus serial for HMI on front face Connector(s)2 x RJ45, Ethernet IP/Modbus TCP on front face
Physical interface	2-wire RS 485 Modbus serial
Transmission frame	RTU Modbus serial
Transmission rate	10/100 Mbit/s Ethernet IP/Modbus TCP 4800 bps, 9600 bps, 19200 bps, 38.4 Kbps Modbus serial
Exchange mode	Half duplex, full duplex, autonegotiation Ethernet IP/Modbus TCP
Data format	8 bits, configurable odd, even or no parity Modbus serial
Type of polarization	No impedance Modbus serial
Number of addresses	Modbus serial
Method of access	Slave Modbus TCP Slave Modbus RTU
Supply	External supply for digital inputs : 24 V DC (19...30 V), <= 1.25 mA, protec Internal supply for reference potentiometer (1 to 10 kOhm) : 10.5 V DC +/- circuit protection Internal supply for digital inputs and STO : 24 V DC (21...27 V), <= 200 m. protection
Local signalling	3 LED, mono/dual colour for local diagnostic 5 LED, dual colour for embedded communication status 2 LED, dual colour for communication module status 1 LED, red for presence of voltage
Width	271 mm
Height	908 mm
Depth	309 mm
Product weight	58.4 kg
Analogue input number	3
Analogue input type	AI1, AI2, AI3 software-configurable voltage : 0...10 V DC, impedance 31.5 AI1, AI3 software-configurable current : 0...20 mA, impedance 250 Ohm, AI1, AI3 software-configurable temperature probe or water level sensor

Discrete input number	10
Discrete input type	STOA, STOB safe torque off, 24 V DC ( $\leq 30$ V), impedance $> 2.2$ kOhm DI7, DI8 programmable as pulse input : 0...30 kHz, 24 V DC ( $\leq 30$ V) DI1...DI8 programmable, 24 V DC ( $\leq 30$ V), impedance 4.4 kOhm
Input compatibility	STOA, STOB : discrete input level 1 PLC conforming to EN/IEC 61131-2 DI1...DI8 : discrete input level 1 PLC conforming to EN/IEC 61131-2 DI7, DI8 : pulse input level 1 PLC conforming to IEC 65A-68
Discrete input logic	STOA, STOB positive logic (source) at State 0: $< 5$ V, at State 1: $> 11$ V DI1...DI8 positive logic (source) at State 0: $< 5$ V, at State 1: $> 11$ V DI1...DI8 negative logic (sink) at State 0: $> 16$ V, at State 1: $< 10$ V DI7, DI8 positive logic (source) at State 0: $< 0.6$ V, at State 1: $> 2.5$ V
Analogue output number	2
Analogue output type	Software-configurable voltage AQ1, AQ2 : 0...10 V DC impedance 470 $\Omega$ Software-configurable current AQ1, AQ2 : 0...20 mA impedance 500 $\Omega$
Discrete output number	2
Input/output type	Logic output DQ- : 0...1 kHz, $\leq 30$ V DC, 100 mA Logic output DQ+ : 0...1 kHz, $\leq 30$ V DC, 100 mA Programmable as pulse output DQ+ : 0...30 kHz, $\leq 30$ V DC, 20 mA
Sampling duration	Discrete input DI1...DI8 : 2 ms ( $\pm 0.5$ ms) Pulse input DI7, DI8 : 5 ms ( $\pm 1$ ms) Analog input AI1, AI2, AI3 : 1 ms ( $\pm 1$ ms) Analog output AQ1, AQ2 : 5 ms ( $\pm 1$ ms)
Accuracy	Analog input AI1, AI2, AI3 : $\pm 0.6$ % for a temperature variation 60 °C Analog output AQ1, AQ2 : $\pm 1$ % for a temperature variation 60 °C
Linearity error	AI1, AI2, AI3 : $\pm 0.15$ % of maximum value for analog input AQ1, AQ2 : $\pm 0.2$ % for analog output
Relay output number	3
Relay output type	Configurable relay logic R1 : fault relay NO/NC 100000 cycles at maximum Configurable relay logic R2 : sequence relay NO 100000 cycles at maximum Configurable relay logic R3 : sequence relay NO 100000 cycles at maximum
Refresh time	Relay output R1, R2, R3 : 5 ms ( $\pm 0.5$ ms)
Minimum switching current	Relay output R1, R2, R3 : 5 mA at 24 V DC
Maximum switching current	Relay output R1 : 3 A at 250 V AC on resistive load ( $\cos \phi = 1$ ) Relay output R1 : 3 A at 30 V DC on resistive load ( $\cos \phi = 1$ ) Relay output R1 : 2 A at 250 V AC on inductive load ( $\cos \phi = 0.4$ and L/R) Relay output R1 : 2 A at 30 V DC on inductive load ( $\cos \phi = 0.4$ and L/R) Relay output R2, R3 : 5 A at 250 V AC on resistive load ( $\cos \phi = 1$ ) Relay output R2, R3 : 5 A at 30 V DC on resistive load ( $\cos \phi = 1$ ) Relay output R2, R3 : 2 A at 250 V AC on inductive load ( $\cos \phi = 0.4$ and L/R) Relay output R2, R3 : 2 A at 30 V DC on inductive load ( $\cos \phi = 0.4$ and L/R)

## Environment

isolation	Between power and control terminals
insulation resistance	$> 1$ mOhm 500 V DC for 1 minute to earth
noise level	69.9 dB conforming to 86/188/EEC
power dissipation in W	Natural convection : 158 W at 380 V, switching frequency 4 kHz (heavy duty) Forced convection : 1359 W at 380 V, switching frequency 4 kHz (heavy duty) Natural convection : 180 W at 380 V, switching frequency 4 kHz (normal duty) Forced convection : 1585 W at 380 V, switching frequency 4 kHz (normal duty)
operating position	Vertical $\pm 10$ degree
electromagnetic compatibility	1.2/50 $\mu$ s - 8/20 $\mu$ s surge immunity test level 3 conforming to IEC 61000-4 Electrical fast transient/burst immunity test level 4 conforming to IEC 61000-4 Electrostatic discharge immunity test level 3 conforming to IEC 61000-4-2 Radiated radio-frequency electromagnetic field immunity test level 3 conforming to IEC 61000-4-3 Conducted radio-frequency immunity test level 3 conforming to IEC 61000-4-6
pollution degree	2 conforming to EN/IEC 61800-5-1
vibration resistance	1.5 mm peak to peak ( $f = 2...13$ Hz) conforming to IEC 60068-2-6 1 gn ( $f = 13...200$ Hz) conforming to IEC 60068-2-6
shock resistance	15 gn (duration = 11 ms) conforming to IEC 60068-2-27
relative humidity	5...95 % without condensation conforming to IEC 60068-2-3
ambient air temperature for operation	50...60 °C with current derating (heavy duty) 40...60 °C with current derating (normal duty) -15...50 °C without current derating (heavy duty) -15...40 °C without current derating (normal duty)
ambient air temperature for storage	-40...70 °C
operating altitude	$\leq 1000$ m without derating

	1000...4800 m with current derating 1 % per 100 m
environmental characteristic	Chemical pollution resistance class 3C3 conforming to EN/IEC 60721-3 Dust pollution resistance class 3S3 conforming to EN/IEC 60721-3-3
standards	EN/IEC 61800-3 EN/IEC 61800-3 environment 1 category C2 EN/IEC 61800-3 environment 2 category C3 UL 508C EN/IEC 61800-5-1 IEC 61000-3-12 IEC 60721-3 IEC 61508 IEC 13849-1
product certifications	CSA TÜV UL REACH
marking	CE

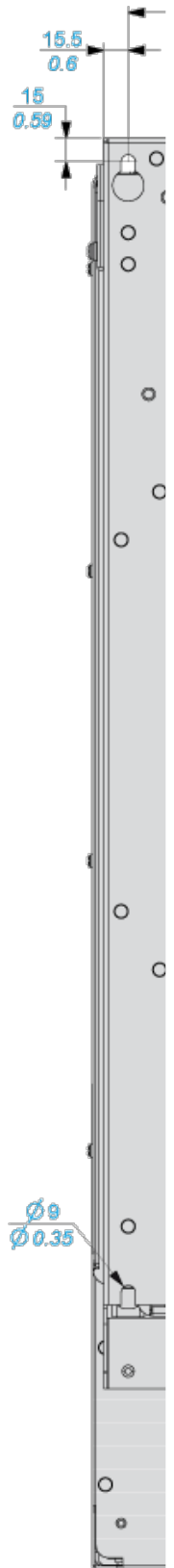
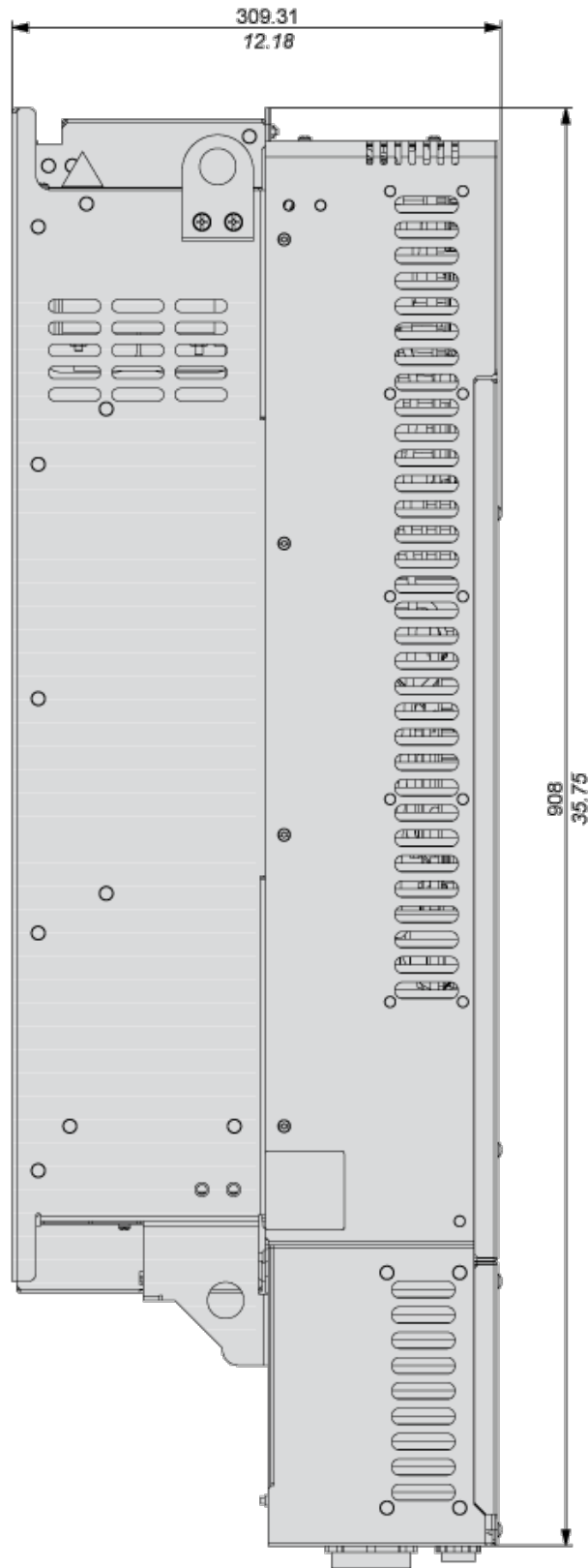
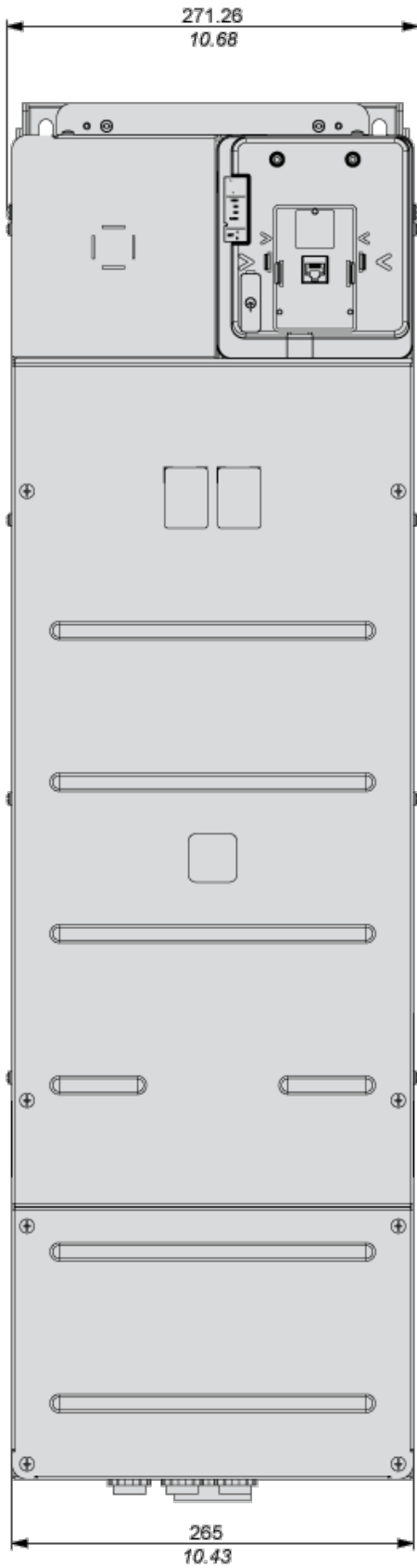
## Offer Sustainability

Sustainable offer status	Green Premium product
RoHS (date code: YYWW)	Compliant - since 1426 - Schneider Electric declaration of conformity
REACH	Reference not containing SVHC above the threshold
Product environmental profile	Available
Product end of life instructions	Available

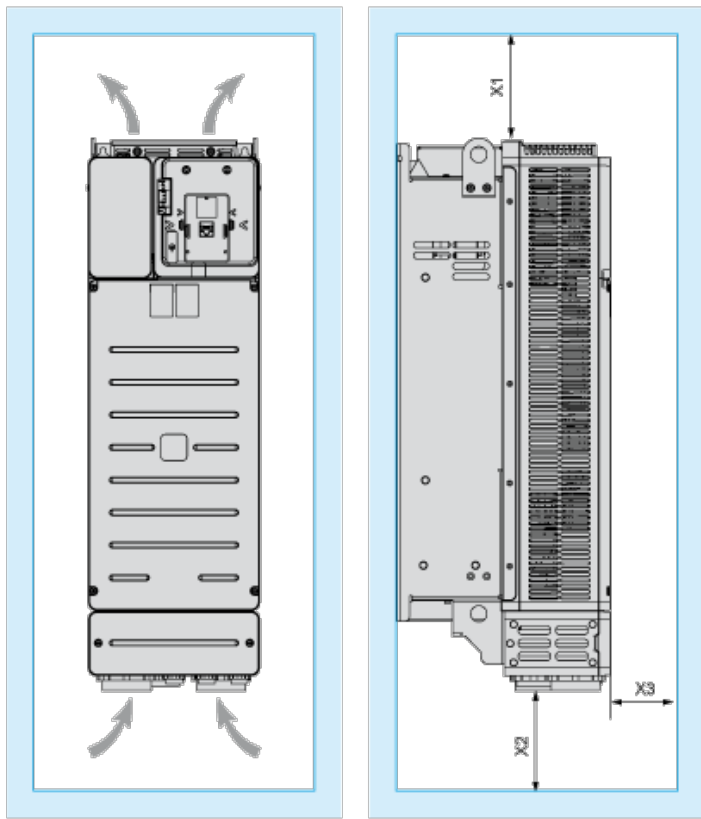
## Dimensions

Views: [Front](#) - [Left](#) - [Rear](#)

mm  
in



Clearance



Dimensions in mm

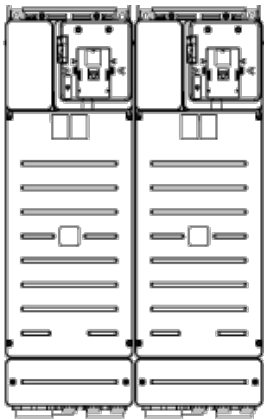
X1	X2	X3
≧ 100	≧ 100	≧ 10

Dimensions in in.

X1	X2	X3
≧ 3.94	≧ 3.94	≧ 0.39

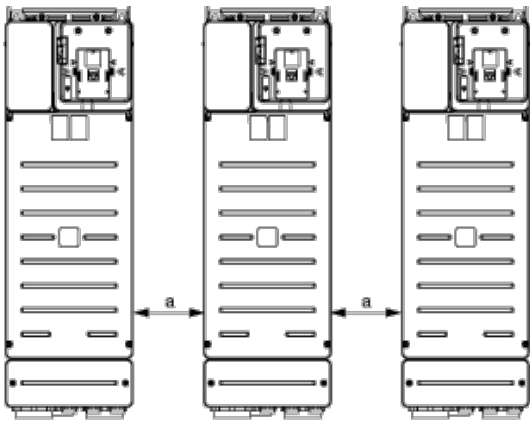
### Mounting Types

#### Mounting Type A: Side by Side IP20



Possible, up to 50 °C, 2 drives only

#### Mounting Type B: Individual IP20

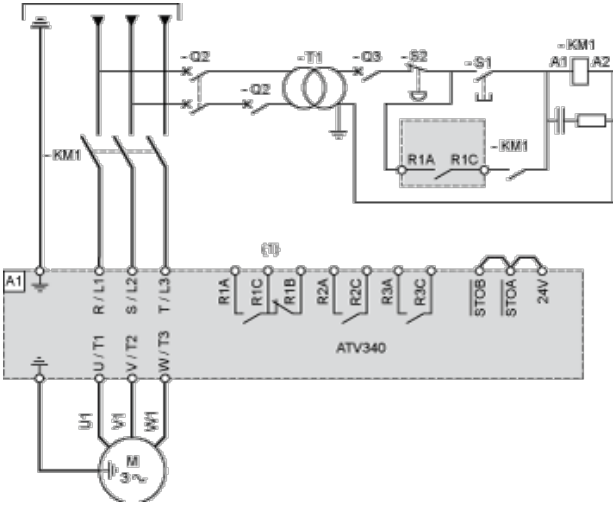


a ≥ 110 mm (4.33 in.)

### Connections and Schema

#### Three-Phase Power Supply with Upstream Breaking via Line Contactor Without Safety Function STO

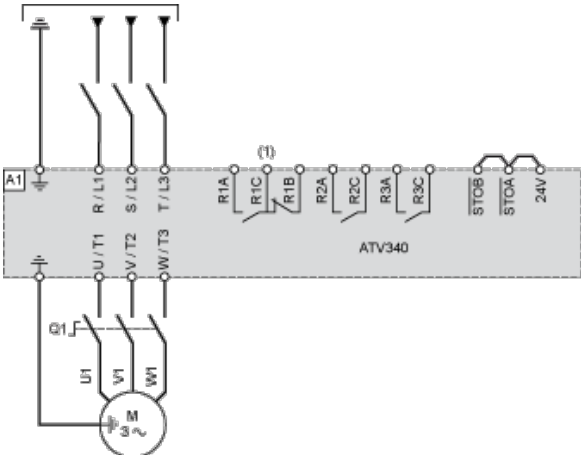
Connection diagrams conforming to standards ISO13849 category 1 and IEC/EN 61508 capacitySIL1, stopping category 0 in accordance with stand



(1) Use relay output R1 set to operating state Fault to switch Off the product once an error is detected.

- A1 : Drive
- KM1 :Line Contactor
- Q2, Circuit breakers
- Q3 :
- S1 : Pushbutton
- S2 : Emergency stop
- T1 : Transformer for control part

#### Three-Phase Power Supply with Downstream Breaking via Switch Disconnecter

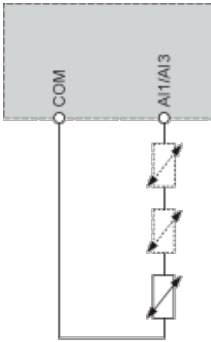


(1) Use relay output R1 set to operating state Fault to switch Off the product once an error is detected.

- A1 : Drive

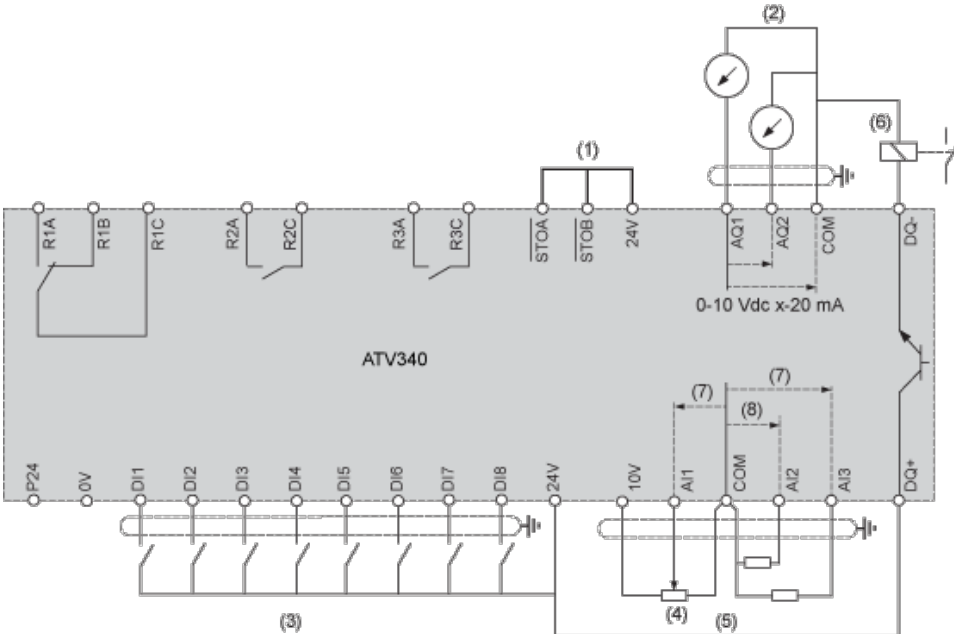
Q1 : Switch disconnector

**Sensor Connection**



It is possible to connect either 1 or 3 sensors on terminals A11/AI3.

**Control Block Wiring Diagram**



- (1) Safe Torque Off
- (2) Analog Output
- (3) Digital Input
- (4) Reference potentiometer
- (5) Analog Input
- (6) Digital Output
- (7) 0-10 Vdc, x-20 mA
- (8) 0-10 Vdc, -10 Vdc...+10 Vdc

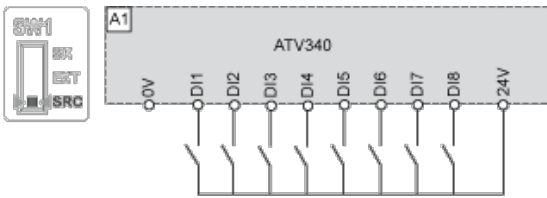
A1 : ATV340 Drive

- R1A, Fault relay
- R1B,
- R1C :
- R2A, Sequence relay
- R2C :
- R3A, Sequence relay
- R3C :

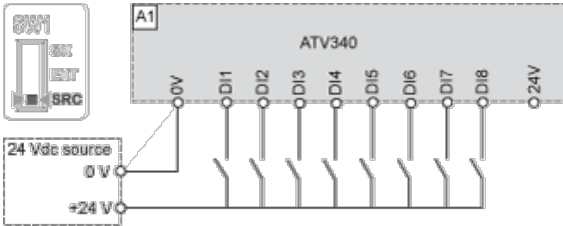
**Digital Inputs Wiring**

Switch Set to SRC (Source) Position Using the Output Power Supply for the Digital Inputs

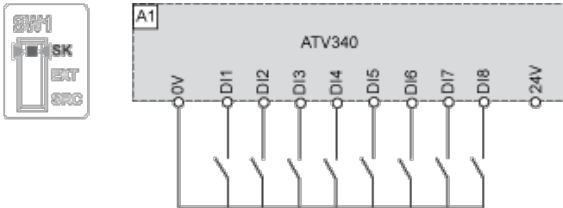




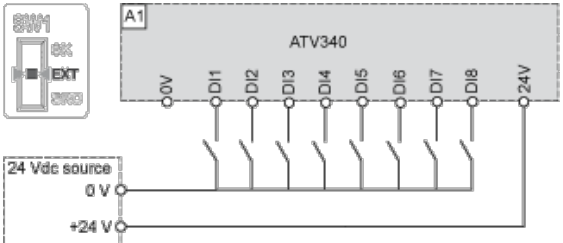
Switch Set to SRC (Source) Position and Use of an External Power Supply for the DIs



Switch Set to SK (Sink) Position Using the Output Power Supply for the Digital Inputs



Switch Set to EXT Position Using an External Power Supply for the DIs



## Digital Outputs Wiring

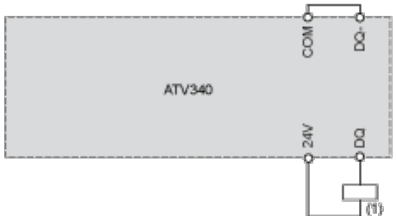
### Digital Outputs: Internal Supply

Positive Logic, Source, European Style, DQ switches to +24V



(1) Relay or valve

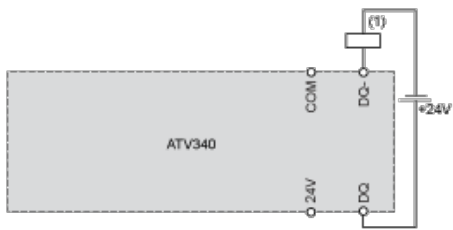
Negative Logic, Sink, Asian Style, DQ switches to 0V



(1) Relay or valve

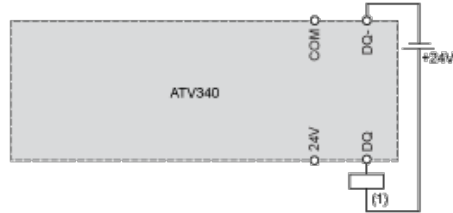
### Digital Outputs: External Supply

Positive Logic, Source, European Style, DQ switches to +24V



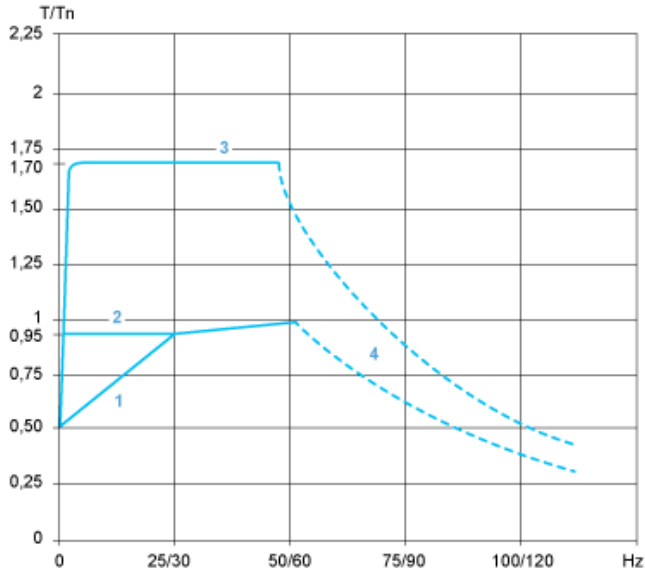
(1) Relay or valve

Negative Logic, Sink, Asian Style, DQ switches to 0V



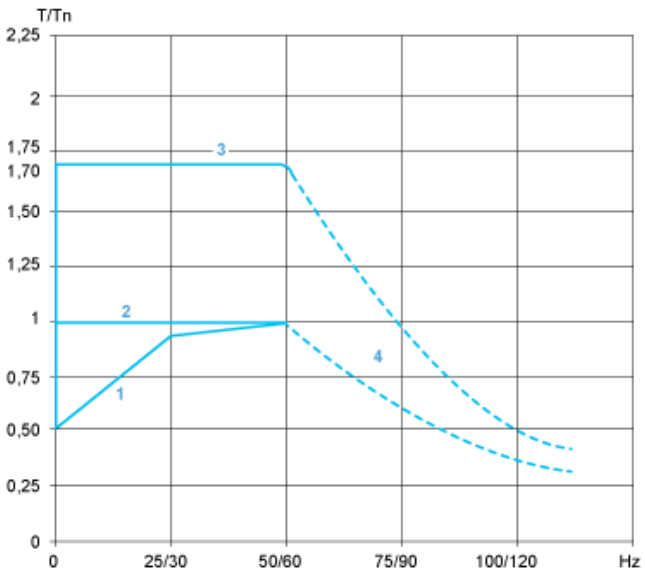
(1) Relay or valve

### Open Loop Applications



- 1 : Self-cooled motor: continuous useful torque
- 2 : Force-cooled motor: continuous useful torque
- 3 : Overtorque for 60 s maximum
- 4 : Torque in overspeed at constant power

### Closed Loop Applications



- 1 : Self-cooled motor: continuous useful torque
- 2 : Force-cooled motor: continuous useful torque
- 3 : Overtorque for 60 s maximum
- 4 : Torque in overspeed at constant power