

ATS48D88Y

soft starter for asynchronous motor - ATS48 - 77 A - 208..690 V - 18.5..75 KW



Main

Range of product	Altistart 48
Product or component type	Soft starter
Product destination	Asynchronous motors
Product specific application	Heavy duty industry and pumps
Device short name	ATS48
[Us] rated supply voltage	208...690 V (- 15...10 %)
Motor power kW	22 kW at 230 V for standard applications 37 kW at 400 V for severe applications 37 kW at 440 V for severe applications 45 kW at 400 V for standard applications 45 kW at 440 V for standard applications 45 kW at 500 V for severe applications 45 kW at 525 V for severe applications 55 kW at 500 V for standard applications 55 kW at 525 V for standard applications 55 kW at 660 V for severe applications 55 kW at 690 V for severe applications 75 kW at 660 V for standard applications 75 kW at 690 V for standard applications 18.5 kW at 230 V for severe applications
Motor power hp	20 hp at 208 V for severe applications 25 hp at 208 V for standard applications 25 hp at 230 V for severe applications 30 hp at 230 V for standard applications 50 hp at 460 V for severe applications 60 hp at 460 V for standard applications 60 hp at 575 V for severe applications 75 hp at 575 V for standard applications
Power dissipation in W	For standard applications 245 W For standard applications 290 W
Utilisation category	AC-53A
Type of start	Start with torque control (current limited to 5 In)
IcL starter rating	88 A (connection in the motor supply line) for standard applications 88 A (connection in the motor supply line) for severe applications
IP degree of protection	IP20

Complementary

Assembly style	With heat sink
Function available	External bypass (optional)
Supply voltage limits	177...759 V
Supply frequency	50...60 Hz (- 5...5 %)
Network frequency	47.5...63 Hz
Device connection	In the motor supply line
Factory setting current	77 A
[Uc] control circuit voltage	110 - 15 % to 230 + 10 %, 50/60 Hz
Control circuit consumption	30 W
Discrete output number	2
Discrete output type	(LO1) logic output 0 V common configurable (LO2) logic output 0 V common configurable (R1) relay outputs fault relay NO (R2) relay outputs end of starting relay NO (R3) relay outputs motor powered NO
Output absolute accuracy precision	+/- 5 %
Minimum switching current	Relay outputs 10 mA at 6 V DC

The information provided in this documentation contains general descriptions and/or technical characteristics of the products contained herein. This documentation is not intended as a substitute for and is not to be used for determining suitability or reliability of these products for specific user applications. It is the duty of any such user or integrator to perform the appropriate and complete risk analysis, evaluation and testing of the products with respect to the relevant specific application or use thereof. Neither Schneider Electric Industries SAS nor any of its affiliates or subsidiaries shall be responsible or liable for misuse of the information contained herein.

Maximum switching current	Logic output 0.2 A at 30 V DC Relay outputs 1.8 A at 230 V AC inductive load, cos phi = 0.5, L/R = 20 ms Relay outputs 1.8 A at 30 V DC inductive load, cos phi = 0.5, L/R = 20 ms
Discrete input number	5
Discrete input type	PTC, 750 Ohm at 25 °C (Stop, Run, LI3, LI4) logic, <= 8 mA 4300 Ohm
Discrete input voltage	24 V (<= 30 V)
Discrete input logic	Positive logic (Stop, Run, LI3, LI4) state 0 < 5 V and <= 2 mA, state 1 > 11 V and >= 5 mA
Supply inrush current	Adjustable 0.4...1.3 Icl
Analogue output type	(AO) current output 0-20 mA or 4-20 mA <= 500 Ohm
Communication port protocol	Modbus
Connector type	1 RJ45
Communication data link	Serial
Physical interface	RS485 multidrop
Transmission rate	4800, 9600 or 19200 bps
Installed device	31
Protection type	Phase failure (line) Thermal protection (motor) Thermal protection (starter)
Marking	CE
Type of cooling	Forced convection
Operating position	Vertical +/- 10 degree
Height	290 mm
Width	190 mm
Depth	235 mm
Product weight	8.3 kg
Power range	15...25 kW at 200...240 V 3 phases 30...50 kW at 380...440 V 3 phases 30...50 kW at 480...500 V 3 phases 55...100 kW at 480...500 V 3 phases
Motor starter type	Soft starter

Environment

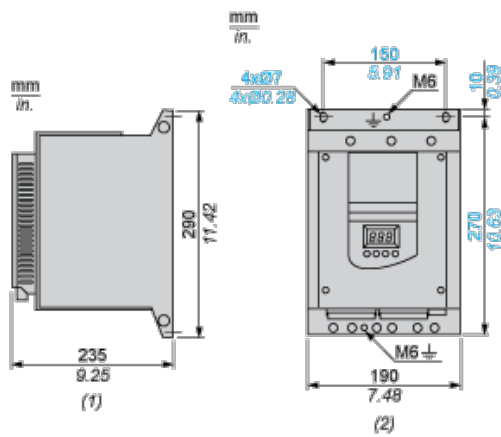
electromagnetic compatibility	Conducted and radiated emissions conforming to IEC 60947-4-2 level A Conducted and radiated emissions conforming to IEC 60947-4-2 level B Damped oscillating waves conforming to IEC 61000-4-12 level 3 Electrostatic discharge conforming to IEC 61000-4-2 level 3 Immunity to electrical transients conforming to IEC 61000-4-4 level 4 Immunity to radiated radio-electrical interference conforming to IEC 61000-4-3 level 3 Voltage/current impulse conforming to IEC 61000-4-5 level 3
standards	EN/IEC 60947-4-2
product certifications	CCC CSA C-Tick DNV GOST NOM 117 SEPRO TCF UL
vibration resistance	1 gn (f = 13...200 Hz) conforming to EN/IEC 60068-2-6 1.5 mm (f = 2...13 Hz) conforming to EN/IEC 60068-2-6
shock resistance	15 gn for 11 ms conforming to EN/IEC 60068-2-27
noise level	58 dB
pollution degree	Level 3 conforming to IEC 60664-1
relative humidity	0...95 % without condensation or dripping water conforming to EN/IEC 60068-2-3
ambient air temperature for operation	-10...40 °C without derating -10...40 °C without derating 40...60 °C with current derating of 2 % per °C
ambient air temperature for storage	-25...70 °C
operating altitude	<= 1000 m without derating > 1000...2000 m with current derating of 2.2 % per additional 100 m

Contractual warranty

Warranty period

18 months

Dimensions



(1) Right View

(2) Front View

Clearance

