



Main

Range of product	Modicon X80
Product or component type	Discrete output module
Discrete output number	8 conforming to EN/IEC 61131-2
Discrete output type	Relay
Discrete output voltage	12...24 V 10...34 V DC 24...240 V 10...264 V AC

Complementary

[I _{th}] conventional free air thermal current	3 A
Insulation resistance	> 10 MOhm 500 V DC
Power dissipation in W	<= 2.7 W
Response time on output	<= 10 ms activation <= 8 ms deactivation
Typical current consumption	100 mA at 3.3 V DC
MTBF reliability	1573341 H
Protection type	External overload protection External short-circuit protection Overvoltage protection, inductive AC network Overvoltage protection, inductive DC network
Output overload protection	Use 1 fast blow fuse per channel or group of channel
Output overvoltage protection	Use discharge diode on each output DC Use RC circuit on each output AC Use ZNO surge limiter on each output AC
Output short-circuit protection	Use 1 fast blow fuse per channel or group of channel
Minimum switching current	1 mA 5 V DC
Electrical durability	1000000 cycles AC-12 50 VA 48 V 1000000 cycles DC-12 24 W 24 V 1000000 cycles DC-13 24 W 24 V 2000000 cycles AC-15 24 VA 48 V 0.35 2000000 cycles DC-13 10 W 24 V 300000 cycles DC-12 40 W 24 V 500000 cycles AC-12 110 VA 48 V 500000 cycles AC-15 10 VA 48 V 0.35 500000 cycles AC-15 24 VA 24 V 0.35 700000 cycles AC-12 50 VA 24 V 100000 cycles AC-15 220 VA 200...240 V 0.35 1000000 cycles AC-12 110 VA 110...120 V 1000000 cycles AC-12 220 VA 200...240 V 1000000 cycles AC-15 110 VA 200...240 V 0.35 10000000 cycles AC-15 10 VA 110...120 V 0.35 10000000 cycles AC-15 10 VA 200...240 V 0.35 150000 cycles AC-15 110 VA 110...120 V 0.35 1500000 cycles AC-15 50 VA 110...120 V 0.35 3000000 cycles AC-15 50 VA 200...240 V 0.35 500000 cycles AC-12 220 VA 110...120 V
Status LED	1 LED red for module error (ERR) 1 LED green for module operating (RUN) 1 LED per channel green for channel diagnostic 1 LED red for module I/O
Product weight	0.145 kg

The information provided in this documentation contains general descriptions and/or technical characteristics of the performance of the products contained herein. This documentation is not intended as a substitute for and is not to be used for determining suitability or reliability of these products for specific user applications. It is the duty of any such user or integrator to perform the appropriate and complete risk analysis, evaluation and testing of the products with respect to the relevant specific application or use thereof. Neither Schneider Electric Industries SAS nor any of its affiliates or subsidiaries shall be responsible or liable for misuse of the information contained herein.

Environment

directives	2012/19/EU - WEEE directive 2014/30/EU - electromagnetic compatibility 2014/35/EU - low voltage directive
IP degree of protection	IP20
product certifications	CE CSA UL RCM Merchant Navy EAC
standards	EN 61000-6-2 EN 61000-6-4 EN 61131-2 EN 61010-2-201
dielectric strength	2000 V AC at 50/60 Hz 1 min
vibration resistance	3 gn
shock resistance	30 gn
ambient air temperature for storage	-40...85 °C
ambient air temperature for operation	0...60 °C
relative humidity	5...95 % without condensation 55 °C
protective treatment	TC
environmental characteristic	Corrosion resistance Dust resistant
operating altitude	0...2000 m 2000...5000 m (with derating factor)

Offer Sustainability

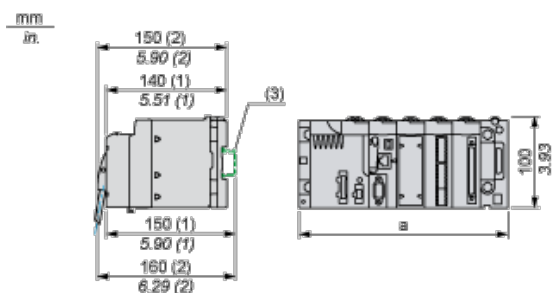
Sustainable offer status	Green Premium product
RoHS (date code: YYWW)	Compliant - since 0901 - Schneider Electric declaration of conformity
REACH	Reference not containing SVHC above the threshold
Product environmental profile	Available
Product end of life instructions	Available

Contractual warranty

Warranty period	18 months
-----------------	-----------

Modules Mounted on Racks

Dimensions

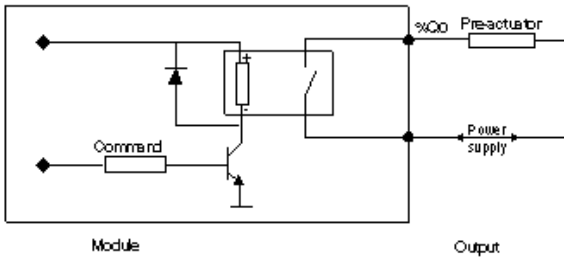


- (1) With removable terminal block (cage, screw or spring).
- (2) With FCN connector.
- (3) On AM1 ED rail: 35 mm wide, 15 mm deep. Only possible with BMXXBP0400/0400H/0600/0600H/0800/0800H rack.

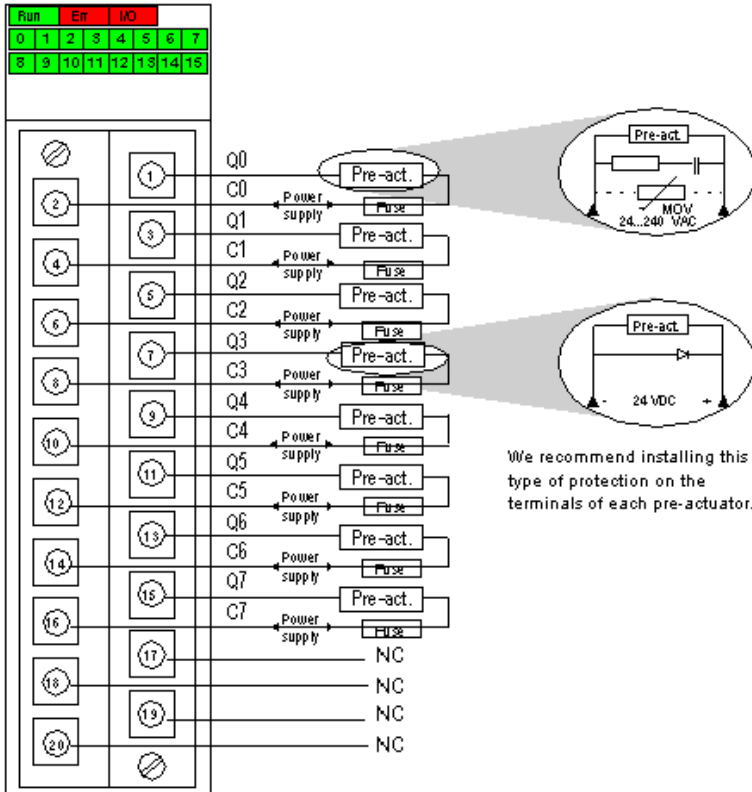
Rack references	a in mm	a in in.
BMXXBP0400 and BMXXBP0400H	242.4	09.54
BMXXBP0600 and BMXXBP0600H	307.6	12.11
BMXXBP0800 and BMXXBP0800H	372.8	14.68
BMXXBP1200 and BMXXBP1200H	503.2	19.81

Connecting the Module

Output Circuit Diagram



Module Connection



We recommend installing this type of protection on the terminals of each pre-actuator.

power 24 VDC or 24...240 VAC

supply

fuse 1 fast blow fuse of 3 A for each relay

NC not connected