

BMXDDI1603H

discrete input module M340 - 16 inputs - 48V DC
current sink (logic positive)



Main

Range of product	Modicon X80
Product or component type	Discrete input module
Product specific application	For severe environments
Discrete input number	16
Discrete input type	Isolated
Input type	Current sink (logic positive)
Discrete input voltage	48 V DC positive
Discrete input current	2.5 mA
Input compatibility	With 2-wire/3-wire proximity sensors conforming to IEC 60947-5-2

Complementary

Sensor power supply	52.8 V at 70 °C 38...60 V at 60 °C
Voltage state 1 guaranteed	>= 34 V
Current state 1 guaranteed	>= 2 mA
Voltage state 0 guaranteed	<= 10 V
Current state 0 guaranteed	<= 0.5 mA
Input impedance	19200 Ohm
Insulation resistance	> 10 MOhm 500 V DC
Power dissipation in W	<= 3.6 W
DC typical filtering time	4 ms
DC maximum filtering time	7 ms
Paralleling of inputs	Yes
Typical current consumption	90 mA at 3.3 V DC
MTBF reliability	798237 H
Protection type	Reverse polarity protection 1 external fuse per group of channel 0.5 A fast blow
Voltage detection threshold	< 24 V DC sensor fault > 36 V DC sensor OK
Status LED	1 LED red for module error (ERR) 1 LED green for module operating (RUN) 1 LED per channel green for channel diagnostic 1 LED red for module I/O
Product weight	0.115 kg

Environment

directives	2012/19/EU - WEEE directive 2014/30/EU - electromagnetic compatibility 2014/35/EU - low voltage directive
IP degree of protection	IP20
product certifications	ATEX CE CSA UL RCM IEC-Ex Merchant Navy EAC
standards	EN 61000-6-2

The information provided in this documentation contains general descriptions and/or technical characteristics of the performance of the products contained herein. This documentation is not intended as a substitute for and is not to be used for determining suitability or reliability of these products for specific user applications. It is the duty of any such user or integrator to perform the appropriate and complete risk analysis, evaluation and testing of the products with respect to the relevant specific application or use thereof. Neither Schneider Electric Industries SAS nor any of its affiliates or subsidiaries shall be responsible or liable for misuse of the information contained herein.

EN 61000-6-4
 EN 61131-2
 EN 61010-2-201

dielectric strength	1500 V AC at 50/60 Hz 1 minute, primary/secondary
vibration resistance	3 gn
shock resistance	30 gn
ambient air temperature for storage	-40...85 °C
ambient air temperature for operation	-25...70 °C
relative humidity	5...95 % without condensation 55 °C
protective treatment	Conformal coating Humiseal 1A33 TC
environmental characteristic	3C3 conforming to EN/IEC 60721-3-3 3C4 conforming to EN/IEC 60721-3-3
operating altitude	0...2000 m 2000...5000 m (with derating factor)

Offer Sustainability

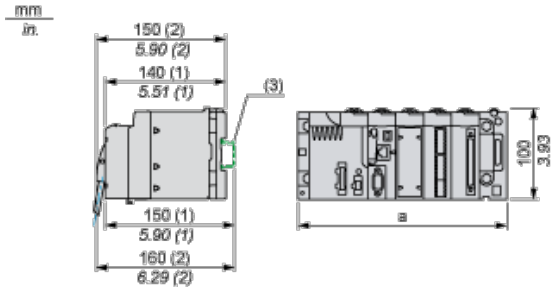
Sustainable offer status	Green Premium product
RoHS (date code: YYWW)	Compliant - since 0911 - Schneider Electric declaration of conformity
REACH	Reference contains SVHC above the threshold
Product environmental profile	Available
Product end of life instructions	Need no specific recycling operations

Contractual warranty

Warranty period	18 months
-----------------	-----------

Modules Mounted on Racks

Dimensions

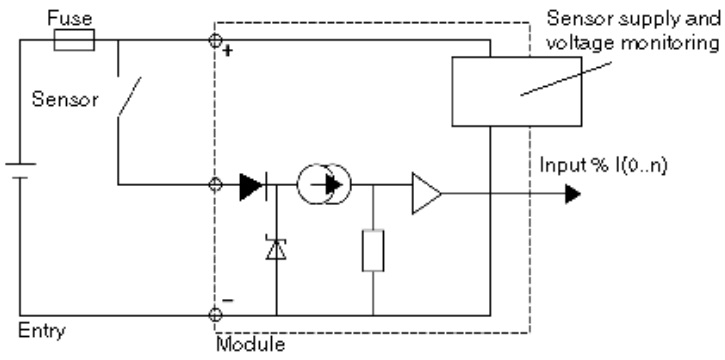


- (1) With removable terminal block (cage, screw or spring).
- (2) With FCN connector.
- (3) On AM1 ED rail: 35 mm wide, 15 mm deep. Only possible with BMXXBP0400/0400H/0600/0600H/0800/0800H rack.

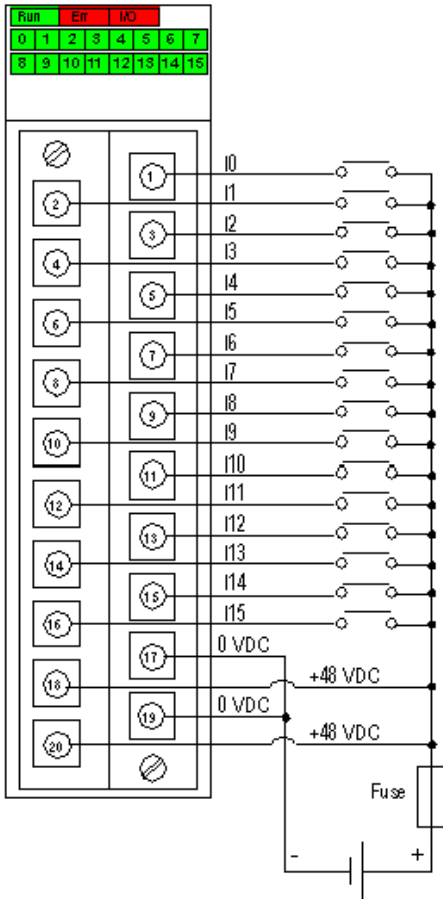
Rack references	a in mm	a in in.
BMXXBP0400 and BMXXBP0400H	242.4	09.54
BMXXBP0600 and BMXXBP0600H	307.6	12.11
BMXXBP0800 and BMXXBP0800H	372.8	14.68
BMXXBP1200 and BMXXBP1200H	503.2	19.81

Connecting the Module

Input Circuit Diagram



Module Connection



- power 48 VDC
- supply
- fuse fast blow fuse of 0.5 A