

# BMXDDI3202K

discrete input module M340 - 32 inputs - 24 V DC positive



## Main

Range of product	Modicon X80
Product or component type	Discrete input module
Discrete input number	32
Discrete input type	Isolated
Input type	Current sink (logic positive)
Discrete input voltage	24 V DC positive
Discrete input current	2.5 mA
Input compatibility	With 2-wire/3-wire proximity sensors conforming to IEC 60947-5-2

## Complementary

Sensor power supply	19...30 V
Voltage state 1 guaranteed	$\geq 11$ V
Current state 1 guaranteed	$\geq 2$ mA
Voltage state 0 guaranteed	$\leq 5$ V
Current state 0 guaranteed	$\leq 1.5$ mA
Input impedance	9600 Ohm
Insulation resistance	$> 10$ MOhm 500 V DC
Power dissipation in W	$\leq 3.9$ W
DC typical filtering time	4 ms
DC maximum filtering time	7 ms
Paralleling of inputs	No
Typical current consumption	140 mA at 3.3 V DC
MTBF reliability	696320 H
Protection type	Reverse polarity protection 1 external fuse per group of channel 0.5 A fast blow
Voltage detection threshold	$< 14$ V DC sensor fault $> 18$ V DC sensor OK
Status LED	1 LED red for module error (ERR) 1 LED green for module operating (RUN) 1 LED per channel green for channel diagnostic 1 LED red for module I/O
Product weight	0.112 kg

## Environment

directives	2012/19/EU - WEEE directive 2014/30/EU - electromagnetic compatibility 2014/35/EU - low voltage directive
IP degree of protection	IP20
product certifications	CE CSA UL RCM Merchant Navy EAC
standards	EN 61000-6-2 EN 61000-6-4 EN 61131-2 EN 61010-2-201
dielectric strength	1500 V AC at 50/60 Hz 1 minute, primary/secondary

The information provided in this documentation contains general descriptions and/or technical characteristics of the products contained herein. This documentation is not intended as a substitute for and is not to be used for determining suitability or reliability of these products for specific user applications. It is the duty of any such user or integrator to perform the appropriate and complete risk analysis, evaluation and testing of the products with respect to the relevant specific application or use thereof. Neither Schneider Electric Industries SAS nor any of its affiliates or subsidiaries shall be responsible or liable for misuse of the information contained herein.

	500 V DC 1 minute, between group of channels
vibration resistance	3 gn
shock resistance	30 gn
ambient air temperature for storage	-40...85 °C
ambient air temperature for operation	0...60 °C
relative humidity	5...95 % without condensation 55 °C
protective treatment	TC
operating altitude	0...2000 m 2000...5000 m (with derating factor)

## Offer Sustainability

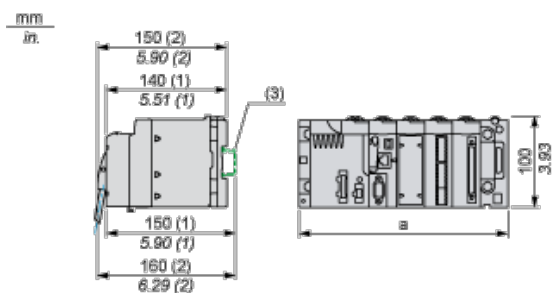
Sustainable offer status	Green Premium product
RoHS (date code: YYWW)	Compliant - since 0722 - Schneider Electric declaration of conformity
REACH	Reference not containing SVHC above the threshold
Product environmental profile	Available
Product end of life instructions	Available

## Contractual warranty

Warranty period	18 months
-----------------	-----------

## Modules Mounted on Racks

### Dimensions

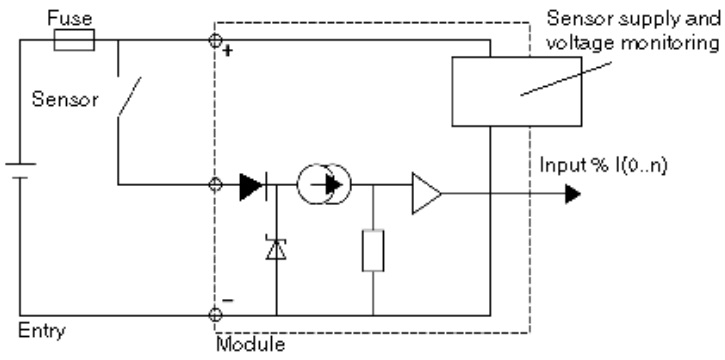


- (1) With removable terminal block (cage, screw or spring).
- (2) With FCN connector.
- (3) On AM1 ED rail: 35 mm wide, 15 mm deep. Only possible with BMXXBP0400/0400H/0600/0600H/0800/0800H rack.

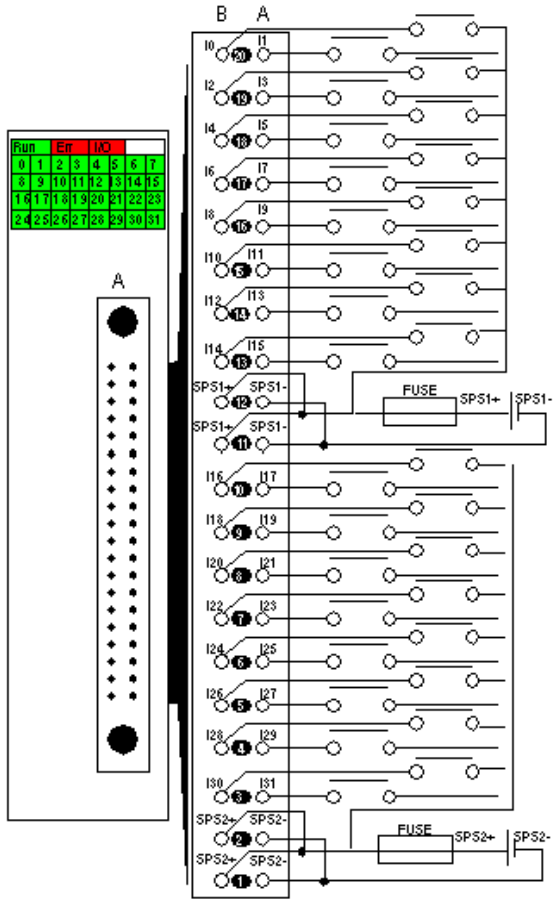
Rack references	a in mm	a in in.
BMXXBP0400 and BMXXBP0400H	242.4	09.54
BMXXBP0600 and BMXXBP0600H	307.6	12.11
BMXXBP0800 and BMXXBP0800H	372.8	14.68
BMXXBP1200 and BMXXBP1200H	503.2	19.81

## Connecting the Module

### Input Circuit Diagram



**Module Connection**



power24 VDC  
supply

fuse fast blow fuse of 0.5 A for each 16-channel group

SPS sensor power supply