



Main

| | |
|---------------------------|--------------------------------------|
| Range of product | Harmony 9001K Harmony 9001SK |
| Product or component type | Empty enclosure |
| Device short name | 9001T |
| Number of cut-out | 1 cut-out |
| Cable entry | 1 entry tapped for 14 mm cable gland |

Complementary

| | |
|---------------------|--|
| Product destination | For Ø 30 mm control and signalling units |
| Material | Aluminium |
| Product weight | 1.17 kg |

Environment

| | |
|---------------------------------------|--|
| protective treatment | TH |
| ambient air temperature for storage | -40...70 °C |
| ambient air temperature for operation | -25...70 °C |
| overvoltage category | II conforming to IEC 61140 |
| NEMA degree of protection | NEMA 1 NEMA 12 NEMA 13 NEMA 3 NEMA 4 NEMA 6 |

Offer Sustainability

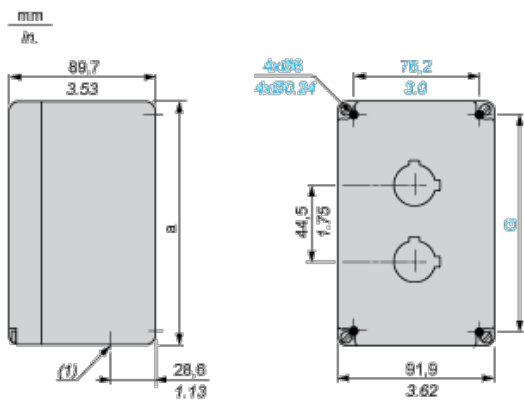
| | |
|----------------------------------|---|
| Sustainable offer status | Green Premium product |
| RoHS (date code: YYWW) | Compliant - since 1442 - Schneider Electric declaration of conformity |
| REACH | Reference not containing SVHC above the threshold |
| Product environmental profile | Available |
| Product end of life instructions | Need no specific recycling operations |

Contractual warranty

| | |
|-----------------|-----------|
| Warranty period | 18 months |
|-----------------|-----------|

Dimensions

Below drawing shows a 2-hole enclosure. Refer to the product characteristics to get the number of holes.



(1) Conduit thread: 9001 KY•: 3/4". 9001 TY•: 14 mm / 0.55 in.

| a | | G | |
|-------|------|------|------|
| mm | in. | mm | in. |
| 101.6 | 4.00 | 69.9 | 2.75 |