



## Main

Range of product	Harmony 9001K Harmony 9001SK
Product or component type	Empty enclosure
Device short name	9001T
Number of cut-out	3 cut-outs
Cable entry	1 entry tapped for 14 mm cable gland

## Complementary

Product destination	For Ø 30 mm control and signalling units
Material	Aluminium
Product weight	1.6 kg

## Environment

protective treatment	TH
ambient air temperature for storage	-40...70 °C
ambient air temperature for operation	-25...70 °C
overvoltage category	II conforming to IEC 61140
NEMA degree of protection	NEMA 1 NEMA 12 NEMA 13 NEMA 3 NEMA 4 NEMA 6

## Offer Sustainability

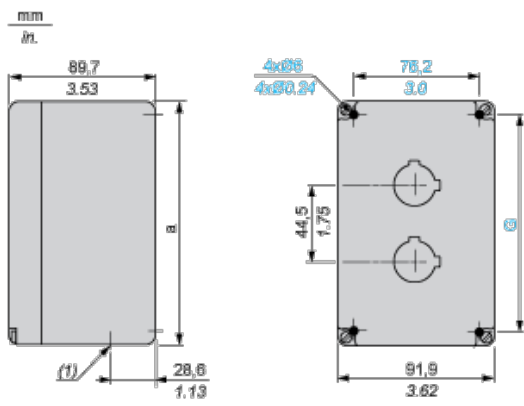
Sustainable offer status	Green Premium product
RoHS (date code: YYWW)	Compliant - since 1442 - Schneider Electric declaration of conformity
REACH	Reference not containing SVHC above the threshold
Product environmental profile	Available
Product end of life instructions	Need no specific recycling operations

## Contractual warranty

Warranty period	18 months
-----------------	-----------

## Dimensions

Below drawing shows a 2-hole enclosure. Refer to the product characteristics to get the number of holes.



(1) Conduit thread: 9001 KY•: 3/4". 9001 TY• : 14 mm / 0.55 in.

a		G	
mm	in.	mm	in.
177.8	7.00	158.8	6.25