

XACD022

empty pendant control station XAC-D - directional operator, 1 opening



Main

Range of product	Harmony XAC
Product or component type	Pendant control station
Device short name	XACD

Complementary

Control station type	Double insulated
Enclosure material	Polypropylene
Control type	Intuitive
Electrical circuit type	Control circuit Power circuit
Enclosure type	Empty enclosure
Number of cut-out	1 cut-out
Control station colour	Yellow
Cable entry	Rubber sleeve with stepped entry 7...18 mm
Guard rail	Without
Standards	EN/IEC 60947-5-1 UL 508 CSA C22.2 No 14
Protective treatment	TH
Ambient air temperature for operation	-25...70 °C
Ambient air temperature for storage	-40...70 °C
Vibration resistance	15 gn 10...500 Hz IEC 60068-2-6
Shock resistance	70 gn IEC 60068-2-27
Overvoltage category	Class II IEC 61140
IP degree of protection	IP65 IEC 60529
IK degree of protection	IK08 EN 50102
Mechanical durability	1000000 cycles
Product weight	0.345 kg

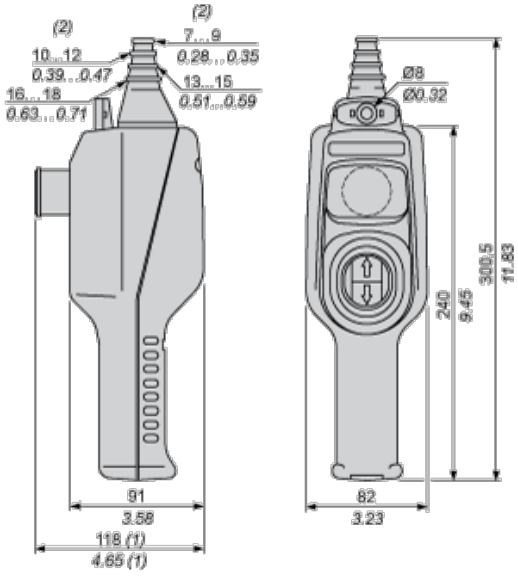
Environment

Contractual warranty

Warranty period	18 months
-----------------	-----------

Dimensions

mm
in.



- (1) With trigger action latching Ø 30 mm / 1.18 in. Emergency stop.
- (2) Internal Ø