

XALE3

empty control station - light grey - 3 cut-outs - IP54 -
for XB7 Ø 22 mm



Main

Range of product	Harmony XALE
Product or component type	Empty control station
Device short name	XALE
Product destination	For XB7 Ø 22 mm control and signalling units
Number of cut-out	3 cut-outs
Colour of base of enclosure	Light grey RAL 7035
Colour of cover	Light grey RAL 7035
Material	ABS (acrylonitrile butadiene-styrene)
Cable entry	2 knock-outs, clamping capacity <= 20 mm 6 knock-outs for ISO M20
Sale per indivisible quantity	5
IP degree of protection	IP54 conforming to IEC 60529

Complementary

Assembly style	For customer assembly
Product weight	0.1 kg
Marking	CE

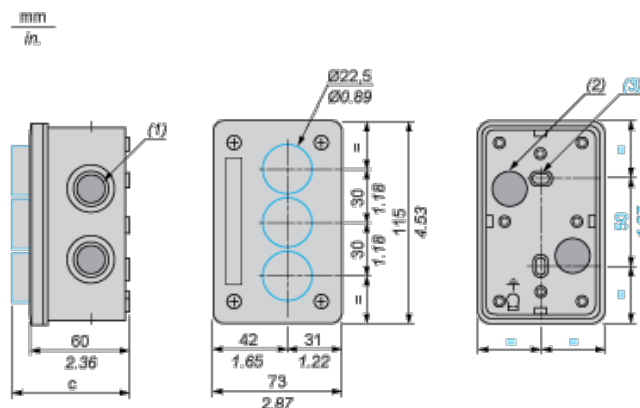
Environment

protective treatment	TC
ambient air temperature for storage	-40...70 °C
ambient air temperature for operation	-25...55 °C
electrical shock protection class	Class II conforming to IEC 60536
IK degree of protection	IK05 conforming to EN 50102
standards	EN/IEC 60947-1 EN/IEC 60947-5-1 EN/IEC 60947-5-5 EN/IEC 62208

Contractual warranty

Warranty period	18 months
-----------------	-----------

Dimensions



- (2) 2 knock-outs for cable entry, maximum capacity 20 mm / 0.79 in.
 (3) 2 knock-out elongated fixing holes Ø 3 mm x 5 mm / Ø 0.12 in. x 0.20 in.

Control station XALE fitted with:	c in mm	c in in.
Flush pushbutton	69	2.72
Projecting pushbutton	71	2.79
Illuminated pushbutton	74.5	2.93
Pilot light	71	2.79
Emergency stop without key	89.5	3.52
Selector switch with standard handle	84.5	3.33
Key switch	100	3.94