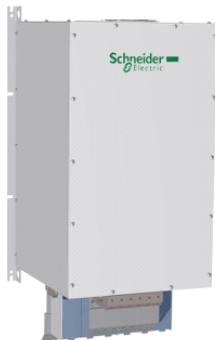


VW3A46114

passive filter - 225 A - 400 V - 50 Hz - for variable speed drive



Main

Product or component type	Passive filter
Product specific application	Reduction of current harmonics

Complementary

Range compatibility	Altivar 61 Altivar 71 Altivar Process ATV600 Altivar Process ATV900
[Us] rated supply voltage	400 V (+/- 10 %)
Supply frequency	50 Hz (tolerance: +/- 2 %)
Quantity per drive	1 filter per drive for variable speed drive ATV61H motor: 132 kW / 200 hp 1 filter per drive for variable speed drive ATV71H motor: 132 kW / 200 hp 1 filter per drive for variable speed drive ATV61Q motor: 132 kW / 200 hp 1 filter per drive for variable speed drive ATV630 wall mount, motor: 110 kW / 150 hp 1 filter per drive for variable speed drive ATV930 wall mount, motor: 110 kW / 150 hp
[In] rated current	217 A for input 225 A for output
Network number of phases	3 phases
THDI	10 % for variable speed drive ATV61H motor: 132 kW / 200 hp 10 % for variable speed drive ATV71H motor: 132 kW / 200 hp 10 % for variable speed drive ATV61Q motor: 132 kW / 200 hp 10 % for variable speed drive ATV630 motor: 110 kW / 150 hp 10 % for variable speed drive ATV930 motor: 110 kW / 150 hp
Max current	1.5 x nominal current (duration = 60 s)
Efficiency	<= 98 %
Thermal losses	864 W
Cos phi	1 at 150 % of line current 0.85 at 75 % of line current 0.99 at 100 % of line current
Electrical connection	A, B terminal, connection capacity: 2.5 mm ² X1-1...X2-3 terminal, connection capacity: 25...300 mm ²
Electrical insulation class	Class F
Product weight	119 kg

Environment

IP degree of protection	IP20 IP55 (enclosure mounting)
vibration resistance	2 mm peak to peak (f = 5...13.2 Hz) conforming to EN 60068-2-6 0.7 gn (f = 13.2...150 Hz) conforming to EN 60068-2-6
relative humidity	5...85 % without condensation
ambient air temperature for operation	> 45...60 °C with current derating 3 % per °C 5...45 °C without current derating
ambient air temperature for storage	> -25...55 °C storage in original packaging > -25...65 °C during transport
operating altitude	<= 1000 m without current derating > 1000...4000 m with current derating 5 % per 1000 m

The information provided in this documentation contains general descriptions and/or technical characteristics of the performance of the products contained herein. This documentation is not intended as a substitute for and is not to be used for determining suitability or reliability of these products for specific user applications. It is the duty of any such user or integrator to perform the appropriate and complete risk analysis, evaluation and testing of the products with respect to the relevant specific application or use thereof. Neither Schneider Electric Industries SAS nor any of its affiliates or subsidiaries shall be responsible or liable for misuse of the information contained herein.

Offer Sustainability

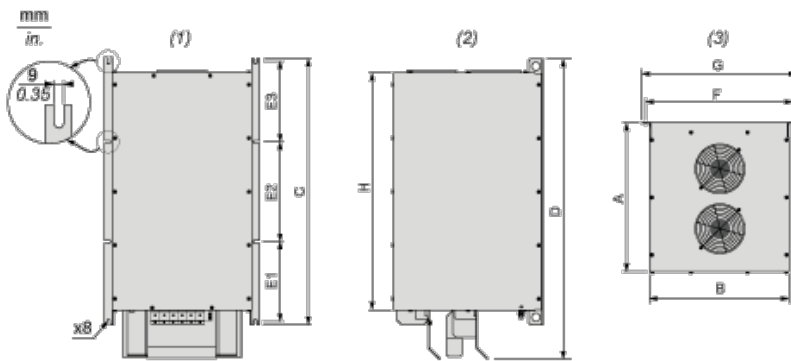
Sustainable offer status

Not Green Premium product

RoHS (date code: YYWW)

Compliant - since 1329 - Schneider Electric declaration of conformity

Dimensions



(1) Front view

(2) Right side view

(3) Top view

Dimensions in mm

A	B	C	D	E1	E2	E3	F	G	H
448.5	420	800	900.06	240	300	240	443	468	713

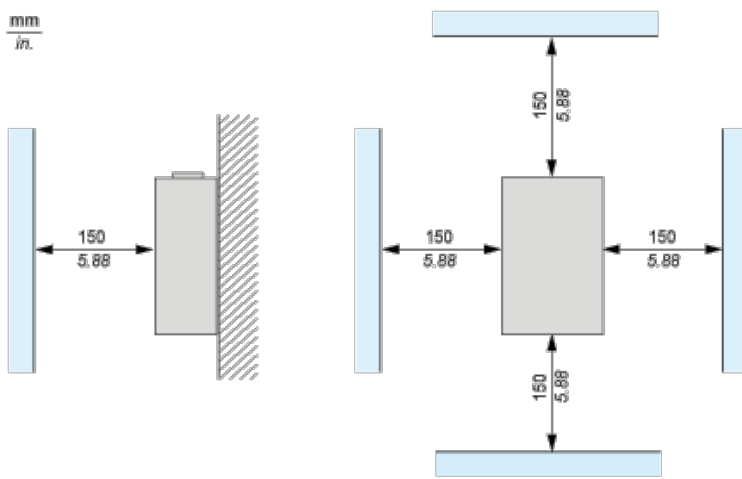
Dimensions in in.

A	B	C	D	E1	E2	E3	F	G	H
17.66	16.54	31.50	35.43	9.45	11.81	9.45	17.44	18.43	28.07

Mounting Recommendations

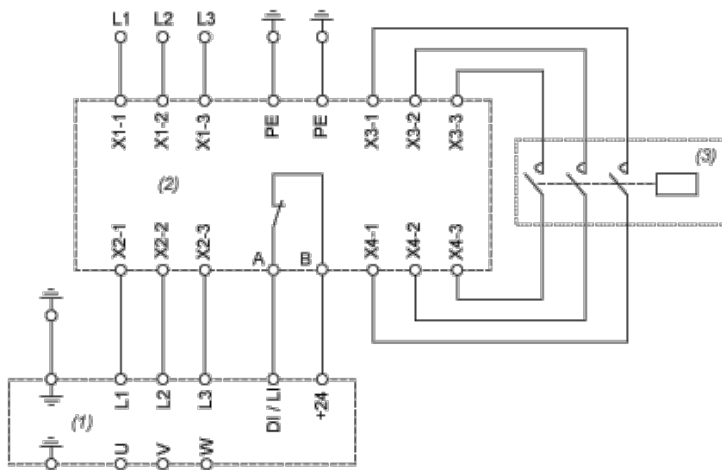
Vertical Mounting Only

mm
in.



(1) Filter

Recommended Schema



- (1) Drive
- (2) Filter
- (3) Optional