

# XCC3515CS84CBN

absolute encoder Ø 58 multi turn - hollow shaft 15 mm - 25-bit binary - CANopen



## Main

Range of product	OsiSense XCC
Encoder type	Multiturn absolute encoder fieldbus
Device short name	XCC
Product specific application	-
Diameter	58 mm
Bus type	CANopen S10 (Transparent Ready) DS 406 V3.1, class C2 DR303-1V1.3, DR303-3 V1.2., ISO 11898, DS301 V4.02/CAN2.A
Shaft diameter	15 mm
Shaft type	Hollow
Resolution	4096 turns/8192 points
Electrical connection	1 male + 1 female connectors + 1 cable gland M12 radial 5 pins Pg 9 radial for network input/ouputs and external supply
Type of output stage	CANopen 25-bit
[Us] rated supply voltage	24 V DC
Transmission rate	10 kbit/s 1000 kbit/s 125 kbit/s 20 kbit/s 250 kbit/s 50 kbit/s 500 kbit/s 800 kbit/s
Enclosure material	Aluminium

## Complementary

Shaft tolerance	F7
Supply voltage limits	10...30 V DC
Maximum revolution speed	6000 rpm
Shaft moment of inertia	30 g.cm <sup>2</sup>
Torque value	0.003 N.m
Maximum load	11 daN radial
Output frequency	800 kHz
Current consumption	0...100 mA no-load
Protection type	Reverse polarity protection Voltage peaks protection
Status LED	1 LED green CAN_RUN 1 LED red CAN_ERR
Surge withstand	0.5 kV level 1 IEC 61000-4-5
Base material	Aluminium
Shaft material	Stainless steel
Type of ball bearings	6803ZZ
Product weight	0.57 kg

## Environment

product certifications	CiA Schneider Electric interoperability standards
marking	CE
ambient air temperature for operation	-40...85 °C
ambient air temperature for storage	-40...85 °C

The information provided in this documentation contains general descriptions and/or technical characteristics of the products contained herein. This documentation is not intended as a substitute for and is not to be used for determining suitability or reliability of these products for specific user applications. It is the duty of any such user or integrator to perform the appropriate and complete risk analysis, evaluation and testing of the products with respect to the relevant specific application or use thereof. Neither Schneider Electric Industries SAS nor any of its affiliates or subsidiaries shall be responsible or liable for misuse of the information contained herein.

IP degree of protection	IP64 IEC 60529
vibration resistance	10 gn (10...2000 Hz) IEC 60068-2-6
shock resistance	100 gn (6 ms) IEC 60068-2-27
resistance to electrostatic discharge	2 kV contact discharge level 2 IEC 61000-4-2 4 kV air discharge level 2 IEC 61000-4-2
resistance to electromagnetic fields	10 V/m level 3 IEC 61000-4-3
resistance to fast transients	1 kV signal ports level 3 IEC 61000-4-4 2 kV power ports level 3 IEC 61000-4-4

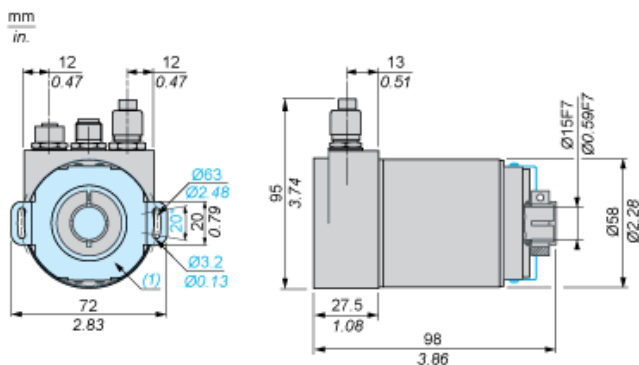
## Offer Sustainability

Sustainable offer status	Not Green Premium product
RoHS (date code: YYWW)	Will be Compliant on 4Q2013 Will be Compliant on 4Q2013
REACH	Reference not containing SVHC above the threshold

## Contractual warranty

Warranty period	18 months
-----------------	-----------

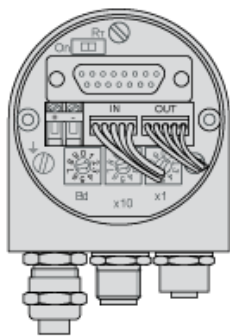
## Dimensions



(1) Flexible mounting kit, 1 x XCCRF5B mounted

## Wiring Diagram

### CANopen Connections



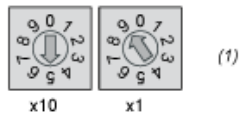
### Bus termination resistor



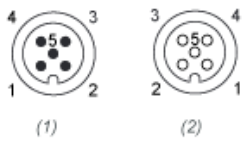
(1) 1st or last encoder

(2) Encoder X

### Permissible address range



(1) (1 => 99) (0 => reserve)



- (1) Bus IN M12 male connector
- (2) Bus OUT M12 female connector

Pin	1	2	3	4	5
Function	CAN_SHLD	(CAN_V+)	CAN_GND	CAN_H	CAN_L

Terminal	+	-
Function	24 V	0 V