



### Main

Range of product	Harmony XAC
Product or component type	Pendant control station
Device short name	XACB

### Complementary

Control station type	Double insulated
Enclosure material	Glass reinforced polyester
Electrical circuit type	Control circuit
Enclosure type	Complete ready for use
Control station application	Control of single speed hoist motor
Control station composition	4 push-buttons
Control button type	First push-button raise, slow Second push-button lower, slow Fourth push-button left, slow Third push-button right, slow
Product compatibility	XESB2011 for reversing operation
Mechanical interlocking	Without mechanical interlock
Control station colour	Yellow
Connections - terminals	Screw clamp terminals 1 x 2.5 mm <sup>2</sup> with or without cable end Screw clamp terminals 2 x 1.5 mm <sup>2</sup> with or without cable end
Standards	EN/IEC 60204-32 EN/IEC 60947-5-1 CSA C22.2 No 14
Product certifications	CSA 300V type 4
Protective treatment	TH
Ambient air temperature for operation	-25...70 °C
Ambient air temperature for storage	-40...70 °C
Vibration resistance	15 gn 10...500 Hz IEC 60068-2-6
Shock resistance	100 gn IEC 60068-2-27
Overvoltage category	Class II
IP degree of protection	IP65 IEC 60529
IK degree of protection	IK08 EN 50102
Mechanical durability	1000000 cycles
Cable entry	Rubber sleeve with stepped entry 10...22 mm
Contact code designation	A600 AC-15 240 V 3 A IEC 60947-5-1 appendix A Q600 DC-13 250 V 0.27 A IEC 60947-5-1 appendix A
[Ithe] conventional enclosed thermal current	10 A
[Ui] rated insulation voltage	500 V 3 IEC 60947-1
[Uimp] rated impulse withstand voltage	6 kV IEC 60947-1
Contact operation	Snap action
Resistance across terminals	<= 25 MOhm
Operating force	7 N push-button
Short-circuit protection	10 A fuse protection cartridge gG
Rated operational power in VA	100 VA AC-15 1000000 cycles 60 cyc/mn 48 V 50/60 Hz 0.5 inductive 450 VA AC-15 1000000 cycles 60 cyc/mn 127 V 50/60 Hz 0.5 inductive

The information provided in this documentation contains general descriptions and/or technical characteristics of the performance of the products contained herein. This documentation is not intended as a substitute for and is not to be used for determining suitability or reliability of these products for specific user applications. It is the duty of any such user or integrator to perform the appropriate and complete risk analysis, evaluation and testing of the products with respect to the relevant specific application or use thereof. Neither Schneider Electric Industries SAS nor any of its affiliates or subsidiaries shall be responsible or liable for misuse of the information contained herein.

50 VA AC-15 1000000 cycles 60 cyc/mn 24 V 50/60 Hz 0.5 inductive  
 750 VA AC-15 1000000 cycles 60 cyc/mn 230 V 50/60 Hz 0.5 inductive

Rated operational power in W	140 W DC-13 1000000 cycles 60 cyc/mn 24 V 0.5 inductive IEC 60947-5-1 appendix C 140 W DC-13 1000000 cycles 60 cyc/mn 48 V 0.5 inductive IEC 60947-5-1 appendix C 95 W DC-13 1000000 cycles 60 cyc/mn 120 V 0.5 inductive IEC 60947-5-1 appendix C
Terminals description ISO n°1	(1-2-3-4)OC
Terminal identifier	(11-12)NC (13-14)NO
Product weight	1.1 kg

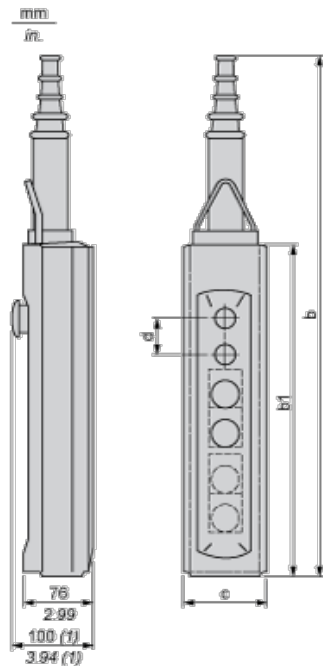
## Environment

## Contractual warranty

Warranty period	18 months
-----------------	-----------

## Dimensions

Below drawing shows a product with 6 cut-outs. Select the number of cut-outs according to the product characteristics in order to get b, b1 and c dimensions.



(1) With mushroom head operator

### Dimensions in mm

Number of cut-outs	2	4	6	8	12
b	409	499	589	679	679
b1	220	310	400	490	490
c	98	98	98	98	98
d	40	40	40	40	30

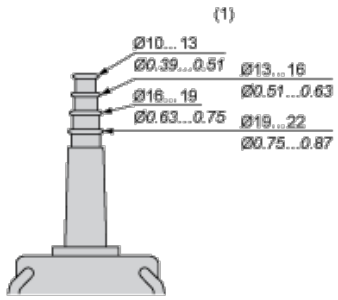
### Dimensions in in.

Number of cut-outs	2	4	6	8	12
b	16.10	19.64	23.19	26.73	26.73
b1	8.66	12.20	15.75	19.29	19.29
c	3.86	3.86	3.86	3.86	3.86

d	1.57	1.57	1.57	1.57	1.18
---	------	------	------	------	------

Protective cable sleeves

$\frac{\text{mm}}{\text{in.}}$



(1) Internal  $\varnothing$