



Main

| | |
|---------------------------|-------------------------|
| Range of product | Harmony XAC |
| Product or component type | Pendant control station |
| Device short name | XACB |

Complementary

| | |
|----------------------------------------------|---------------------------------------------------------------------------------------------------------------------------------------------------------------------------------------------------------------------------------------------------------|
| Control station type | Double insulated |
| Enclosure material | Glass reinforced polyester |
| Electrical circuit type | Control circuit |
| Enclosure type | Complete ready for use |
| Control station application | Control of single speed hoist motor |
| Control station composition | 8 push-buttons |
| Control button type | First push-button raise, slow Second push-button lower, slow Fourth push-button left, slow Third push-button right, slow Fifth push-button forward slow Sixth push-button reverse, slow Eighth push-button O Seventh push-button I |
| Product compatibility | XESB2011 for reversing operation |
| Mechanical interlocking | Without mechanical interlock |
| Control station colour | Yellow |
| Connections - terminals | Screw clamp terminals 1 x 2.5 mm ² with or without cable end Screw clamp terminals 2 x 1.5 mm ² with or without cable end |
| Standards | EN/IEC 60204-32 EN/IEC 60947-5-1 CSA C22.2 No 14 |
| Product certifications | CSA 300V type 4 |
| Protective treatment | TH |
| Ambient air temperature for operation | -25...70 °C |
| Ambient air temperature for storage | -40...70 °C |
| Vibration resistance | 15 gn 10...500 Hz IEC 60068-2-6 |
| Shock resistance | 100 gn IEC 60068-2-27 |
| Overvoltage category | Class II |
| IP degree of protection | IP65 IEC 60529 |
| IK degree of protection | IK08 EN 50102 |
| Mechanical durability | 1000000 cycles |
| Cable entry | Rubber sleeve with stepped entry 10...22 mm |
| Contact code designation | A600 AC-15 240 V 3 A IEC 60947-5-1 appendix A Q600 DC-13 250 V 0.27 A IEC 60947-5-1 appendix A |
| [Ithe] conventional enclosed thermal current | 10 A |
| [Ui] rated insulation voltage | 500 V 3 IEC 60947-1 |
| [Uimp] rated impulse withstand voltage | 6 kV IEC 60947-1 |
| Contact operation | Snap action |
| Resistance across terminals | <= 25 MOhm |
| Operating force | 7 N push-button |

The information provided in this documentation contains general descriptions and/or technical characteristics of the products contained herein. This documentation is not intended as a substitute for and is not to be used for determining suitability or reliability of these products for specific user applications. It is the duty of any such user or integrator to perform the appropriate and complete risk analysis, evaluation and testing of the products with respect to the relevant specific application or use thereof. Neither Schneider Electric Industries SAS nor any of its affiliates or subsidiaries shall be responsible or liable for misuse of the information contained herein.

| | |
|-------------------------------|-----------------------------------------------------------------------------------------------------------------------------------------------------------------------------------------------------------------------------------------------------------------------------------|
| Short-circuit protection | 10 A fuse protection cartridge gG |
| Rated operational power in VA | 100 VA AC-15 1000000 cycles 60 cyc/mn 48 V 50/60 Hz 0.5 inductive 450 VA AC-15 1000000 cycles 60 cyc/mn 127 V 50/60 Hz 0.5 inductive 50 VA AC-15 1000000 cycles 60 cyc/mn 24 V 50/60 Hz 0.5 inductive 750 VA AC-15 1000000 cycles 60 cyc/mn 230 V 50/60 Hz 0.5 inductive |
| Rated operational power in W | 140 W DC-13 1000000 cycles 60 cyc/mn 24 V 0.5 inductive IEC 60947-5-1 appendix C 140 W DC-13 1000000 cycles 60 cyc/mn 48 V 0.5 inductive IEC 60947-5-1 appendix C 95 W DC-13 1000000 cycles 60 cyc/mn 120 V 0.5 inductive IEC 60947-5-1 appendix C |
| Terminals description ISO n°1 | (1-2-3-4)OC |
| Terminal identifier | (11-12)NC (13-14)NO |
| Product weight | 1.55 kg |

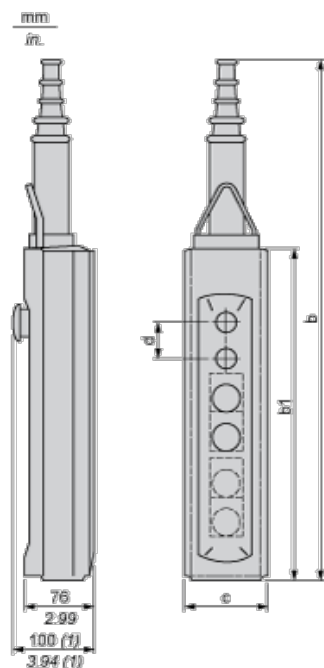
Environment

Contractual warranty

| | |
|-----------------|-----------|
| Warranty period | 18 months |
|-----------------|-----------|

Dimensions

Below drawing shows a product with 6 cut-outs. Select the number of cut-outs according to the product characteristics in order to get b, b1 and c dimensions.



(1) With mushroom head operator

Dimensions in mm

| Number of cut-outs | 2 | 4 | 6 | 8 | 12 |
|--------------------|-----|-----|-----|-----|-----|
| b | 409 | 499 | 589 | 679 | 679 |
| b1 | 220 | 310 | 400 | 490 | 490 |
| c | 98 | 98 | 98 | 98 | 98 |
| d | 40 | 40 | 40 | 40 | 30 |

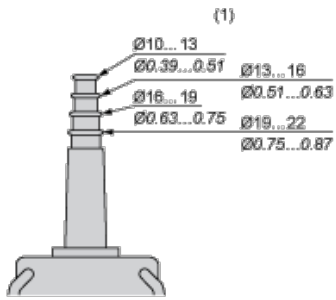
Dimensions in in.

| Number of cut-outs | 2 | 4 | 6 | 8 | 12 |
|--------------------|-------|-------|-------|-------|-------|
| b | 16.10 | 19.64 | 23.19 | 26.73 | 26.73 |

| | | | | | |
|----|------|-------|-------|-------|-------|
| b1 | 8.66 | 12.20 | 15.75 | 19.29 | 19.29 |
| c | 3.86 | 3.86 | 3.86 | 3.86 | 3.86 |
| d | 1.57 | 1.57 | 1.57 | 1.57 | 1.18 |

Protective cable sleeves

$\frac{\text{mm}}{\text{in.}}$



(1) Internal \varnothing