



### Main

Range of product	Harmony 9001K
Product or component type	Push-button
Device short name	9001K
Type of operator	Spring return
Operator profile	Flush, green marking: unmarked,
Operator additional information	Full guard in plastic

### Complementary

Bezel material	Chromium plated metal
Mounting diameter	30 mm
Shape of signaling unit head	Octagonal
Contacts type and composition	1 NO
Connections - terminals	Screw clamp terminals 1 x 0.22...2 x 1.5 mm <sup>2</sup> conforming to IEC 60947-1
Tightening torque	0.8 N.m conforming to IEC 60947-1
Shape of screw head	Cross slotted
Mechanical durability	5000000 cycles
Operating position	Any position
[Ie] rated operational current	3 A 240 V AC-15 A600-Q600 NEMA 0.55 A 125 V DC-13 A600-Q600 NEMA
[Ui] rated insulation voltage	250 V, degree of pollution: 3 conforming to IEC 60947-1
[Uimp] rated impulse withstand voltage	2.5 kV conforming to IEC 60947-1
Contacts material	Silver alloy contacts
Contact operation	Slow-break
Positive opening	Without
Short-circuit protection	10 A cartridge fuse conforming to IEC 60947-5-1
[Ith] conventional free air thermal current	10 A
[Icm] rated short-circuit making capacity	<= 12 kA at 600 V AC-15, 7200 VA <= 15 kA at 480 V AC-15, 7200 VA <= 30 kA at 240 V AC-15, 7200 VA <= 60 kA at 120 V AC-15, 7200 VA <= 0.27 kA at 250 V DC-13 <= 0.55 kA at 125 V DC-13 <= 0.1 kA at 600 V DC-13
Rated breaking capacity	<= 3 kA at 240 V AC-15, 720 VA <= 6 kA at 120 V AC-15, 720 VA <= 0.1 kA at 600 V DC-13 <= 0.27 kA at 250 V DC-13 <= 0.55 kA at 125 V DC-13 <= 1.2 kA at 600 V AC-15, 720 VA <= 1.5 kA at 480 V AC-15, 720 VA
Terminals description ISO n°1	(13-14)NO
CAD overall width	48 mm
CAD overall height	45 mm
CAD overall depth	56 mm
Product weight	0.121 kg
Device presentation	Complete product

### Environment

standards	EN/IEC 60947-1
-----------	----------------

The information provided in this documentation contains general descriptions and/or technical characteristics of the products contained herein. This documentation is not intended as a substitute for and is not to be used for determining suitability or reliability of these products for specific user applications. It is the duty of any such user or integrator to perform the appropriate and complete risk analysis, evaluation and testing of the products with respect to the relevant specific application or use thereof. Neither Schneider Electric Industries SAS nor any of its affiliates or subsidiaries shall be responsible or liable for misuse of the information contained herein.

EN/IEC 60947-5-1  
 EN/IEC 60947-5-4  
 JIS C 4520  
 JIS C 852  
 UL 508  
 CSA C22.2 No 14

product certifications	NEMA UL 508
protective treatment	TC
ambient air temperature for storage	-40...70 °C
ambient air temperature for operation	-25...70 °C
vibration resistance	7 gn (f = 2...500 Hz) conforming to IEC 60068-2-6
shock resistance	50 gn conforming to IEC 60068-2-27
electrical shock protection class	Class II conforming to IEC 61140
IP degree of protection	IP66 conforming to IEC 60529
NEMA degree of protection	NEMA 1 NEMA 12 NEMA 13 NEMA 2 NEMA 3 NEMA 3R NEMA 4

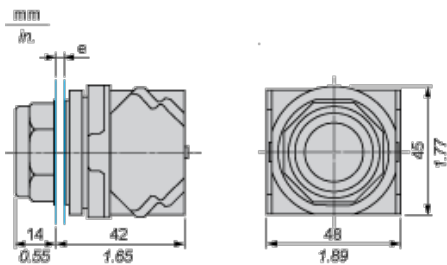
### Offer Sustainability

Sustainable offer status	785901033349
RoHS (date code: YYWW)	Compliant - since 0921 - Schneider Electric declaration of conformity
REACH	Reference not containing SVHC above the threshold

### Contractual warranty

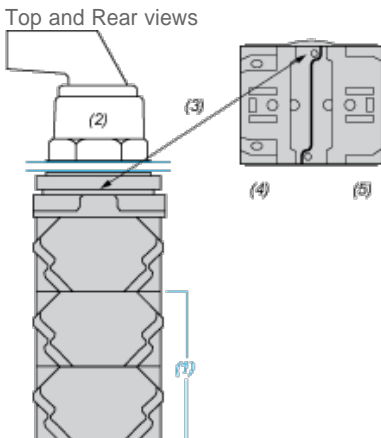
Warranty period	18 months
-----------------	-----------

### Dimensions



e panel thickness: 1 to 6 mm / 0.04 to 0.24 in.

### Contact Block Mounting Position

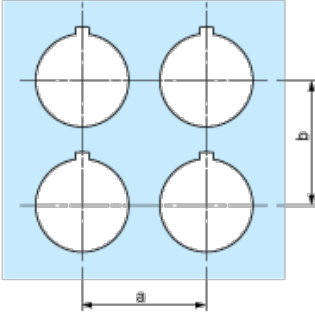


(1) It is possible to mount up to 3 levels of contacts blocks (maximum of 6 contacts blocks)

- (2) Operator
- (3) Locating notch
- (4) Side 1
- (5) Side 2

## Panel Cut-Out

### Clearance



Legend plate	a min.		b min.	
	mm	in.	mm	in.
9001KN2**	57.2	2.25	44.5	1.75
9001KN3**	57.2	2.25	50.8	2.00

### Individual Cut-outs Details

2 alternatives

$\frac{\text{mm}}{\text{in.}}$

