



### Main

Range of product	Harmony 9001KS
Product or component type	Selector switch
Device short name	9001K
Type of operator	Stay put
Operator profile	Key switch

### Complementary

Bezel material	Chromium plated metal
Mounting diameter	30 mm
Product weight	0.207 kg
Shape of signaling unit head	Octagonal
Operator position information	2 positions
Type of keylock	E10
Key number	E10
Key withdrawal position	Left
Contacts type and composition	Without contact block
Mechanical durability	500000 cycles
Product compatibility	9001KA1, mounting on side 1 or 2 9001KA2, mounting on side 1 or 2
Device presentation	Basic element

### Environment

protective treatment	TC
ambient air temperature for storage	-40...70 °C
ambient air temperature for operation	-25...70 °C
overvoltage category	Class II conforming to IEC 61140
IP degree of protection	IP66 conforming to IEC 60529
NEMA degree of protection	NEMA 1 NEMA 12 NEMA 13 NEMA 2 NEMA 3 NEMA 3R NEMA 4
standards	EN/IEC 60947-1 EN/IEC 60947-5-1 EN/IEC 60947-5-4 JIS C 4520 JIS C 852 UL 508 CSA C22.2 No 14
product certifications	NEMA UL 508
vibration resistance	7 gn (f = 2...500 Hz) conforming to IEC 60068-2-6
shock resistance	50 gn conforming to IEC 60068-2-27

### Offer Sustainability

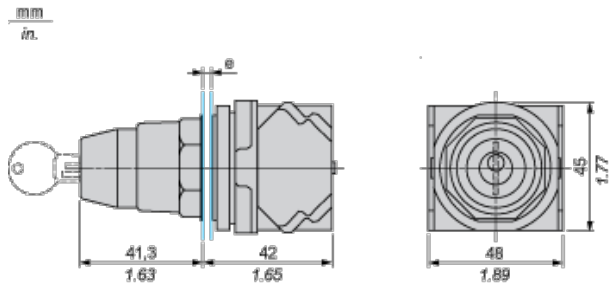
Sustainable offer status	785901913610
--------------------------	--------------

**Contractual warranty**

Warranty period

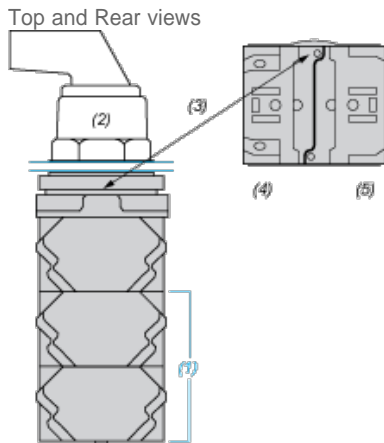
18 months

**Dimensions**



e panel thickness: 1 to 6 mm / 0.04 to 0.24 in.

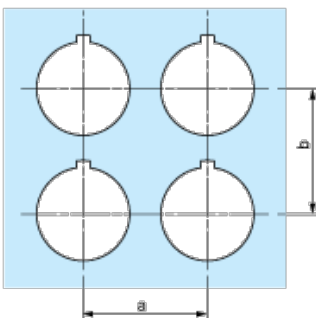
**Contact Block Mounting Position**



- (1) It is possible to mount up to 3 levels of contacts blocks (maximum of 6 contacts blocks)
- (2) Operator
- (3) Locating notch
- (4) Side 1
- (5) Side 2

**Panel Cut-Out**

**Clearance**



Legend plate	a min.		b min.	
	mm	in.	mm	in.
9001KN2**	57.2	2.25	44.5	1.75

9001KN3••	57.2	2.25	50.8	2.00
-----------	------	------	------	------

### Individual Cut-outs Details

2 alternatives

$\frac{\text{mm}}{\text{in.}}$

