

## 9001SKR16

red Ø30 Emergency stop pushbutton Ø40 trigger  
action/turn release-w/o contact



### Main

|                           |                                     |
|---------------------------|-------------------------------------|
| Range of product          | Harmony 9001SK                      |
| Product or component type | Complete emergency stop push-button |
| Device short name         | 9001SK                              |
| Bezel material            | Plastic                             |

### Complementary

|                                 |  |
|---------------------------------|--|
| Mounting diameter               | 30 mm  |
| CAD overall width               | 40 mm  |
| CAD overall height              | 40 mm  |
| CAD overall depth               | 90 mm  |
| Product weight                  | 0.141 kg   |
| Operating position              | Any position   |
| Shape of signaling unit head    | Round  |
| Type of operator                | Turn to release<br>Maintained<br>Trigger action                |
| Operator profile                | Mushroom Ø 40 mm, cap/operator or lens colour:red (CE marking) |
| Mechanical durability           | 5000000 cycles   |
| Operator additional information | Screw-in with set screw security                               |

### Environment

|                                       |  |
|---------------------------------------|--|
| protective treatment                  | TC   |
| ambient air temperature for storage   | -40...70 °C  |
| ambient air temperature for operation | -25...70 °C  |
| electrical shock protection class     | Class II conforming to IEC 61140   |
| IP degree of protection               | IP66 conforming to IEC 60529   |
| NEMA degree of protection             | NEMA 1<br>NEMA 12<br>NEMA 13<br>NEMA 2<br>NEMA 3<br>NEMA 3R<br>NEMA 4<br>NEMA 4X   |
| standards                             | EN/IEC 60947-5-1<br>EN/IEC 60947-1<br>EN/IEC 60947-5-4<br>JIS C 4520<br>JIS C 852<br>UL 508<br>CSA C22.2 No 14<br>RoHS compliant<br>EN/IEC 60947-5-5 |
| product certifications                | NEMA<br>UL 508<br>CSA LR25490 class 3211 03<br>UL listed file E78403 CCN NKCR  |
| vibration resistance                  | 7 gn (f= 2...500 Hz) conforming to IEC 60068-2-6   |

The information provided in this documentation contains general descriptions and/or technical characteristics of the products contained herein. This documentation is not intended as a substitute for and is not to be used for determining suitability or reliability of these products for specific user applications. It is the duty of any such user or integrator to perform the appropriate and complete risk analysis, evaluation and testing of the products with respect to the relevant specific application or use thereof. Neither Schneider Electric Industries SAS nor any of its affiliates or subsidiaries shall be responsible or liable for misuse of the information contained herein.

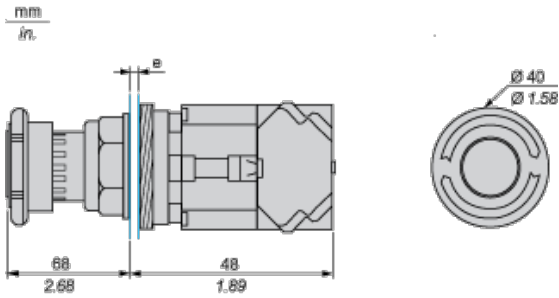
## Offer Sustainability

|                                  |   |
|----------------------------------|---|
| Sustainable offer status         | 785901582021  |
| RoHS (date code: YYWW)           | Compliant - since 0921 - Schneider Electric declaration of conformity |
| Product environmental profile    | 785901582021  |
| Product end of life instructions | 785901582021  |

## Contractual warranty

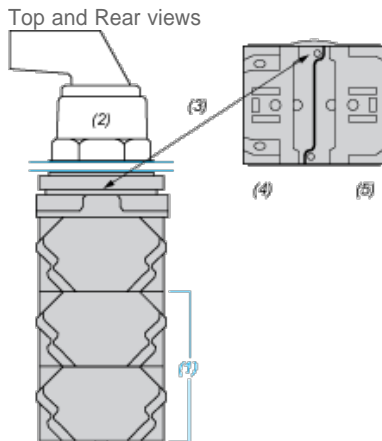
|                 |           |
|-----------------|-----------|
| Warranty period | 18 months |
|-----------------|-----------|

## Dimensions



e panel thickness: 1 to 6 mm / 0.04 to 0.24 in.

## Contact Block Mounting Position



- (1) It is possible to mount up to 3 levels of contacts blocks (maximum of 6 contacts blocks)
- (2) Operator
- (3) Locating notch
- (4) Side 1
- (5) Side 2