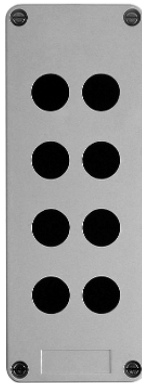


XAPA2108

empty control station - XAP-A - plastic - 8 openings
in 2 columns



Main

| | |
|-------------------------------|--|
| Range of product | Harmony XAP |
| Product or component type | Empty control station without hinges |
| Device short name | XAPA |
| Product destination | For Ø 22 mm control and signalling units |
| Product front plate size | 85 x 226 mm |
| Usable depth | 83 mm |
| Number of cut-out | 8 cut-outs |
| Colour of base of enclosure | Grey |
| Colour of cover | Grey |
| Material | Glass reinforced polyester |
| Cable entry | Undrilled |
| Device mounting | Flush |
| IP degree of protection | IP65 conforming to IEC 60529 IP69K IP69 conforming to NF C 20-010 |
| Resistance to chemical agents | High resistant to acids High resistant to all solvents High resistant to bases High resistant to diesel High resistant to mineral salts High resistant to oils and greases High resistant to petrol High resistant to sea water |

Complementary

| | |
|-------------------------|---|
| Number of vertical rows | 2 |
| Flame retardance | M3 conforming to CSTB VO conforming to UL 94 |
| Product weight | 0.58 kg |

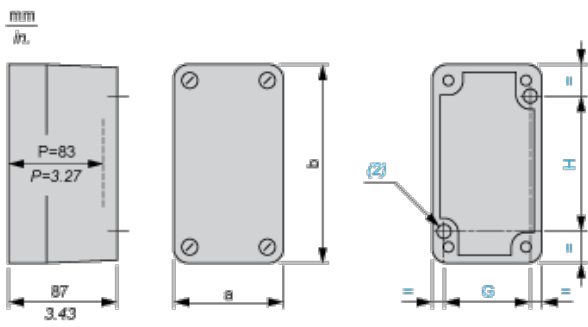
Environment

| | |
|---------------------------------------|--|
| protective treatment | TC TH |
| ambient air temperature for storage | -40...70 °C |
| ambient air temperature for operation | -40...70 °C |
| overvoltage category | Class II conforming to IEC 60536 Class II conforming to NF C 20-030 |
| fire resistance | 850 °C conforming to NF C 20-455 960 °C conforming to IEC 92 |

Contractual warranty

| | |
|-----------------|-----------|
| Warranty period | 18 months |
|-----------------|-----------|

Dimensions and Fixing

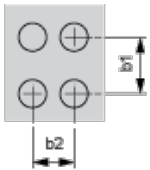


- (1) 11 mm/0.43 in.
 - (2) 2 x Ø 5.6 mm/0.22 in. holes, depth 12 mm/0.47 in.
- P** Usable depth

| a | | b | | G | | H | |
|----------|------|----------|------|----------|------|----------|------|
| mm | in. | mm | in. | mm | in. | mm | in. |
| 85 | 3.35 | 226 | 8.90 | 70 | 2.76 | 180 | 7.09 |

Refer to the product characteristics to get the number of cut-outs.

Cut-out interaxis dimensions (vertical mounting)



- b1** Vertical interaxis: 40 mm/1.57 in.
- b2** Horizontal interaxis: 30 mm/1.18 in.