

XB2SL44007

empty control station - XB2-S - metal - 16 openings
in 4 columns



Main

Range of product	Harmony XAP
Product or component type	Empty control station
Device short name	XB2SL
Product destination	For Ø 22 mm control and signalling units
Product front plate size	200 x 260 mm
Usable depth	115 mm
Number of cut-out	16 cut-outs
Material	Sheet steel
Product mounting	Flush mounting
IP degree of protection	IP547 conforming to NF C 20-010 IP54 conforming to IEC 60529

Complementary

Number of vertical rows	4
Product weight	3.9 kg

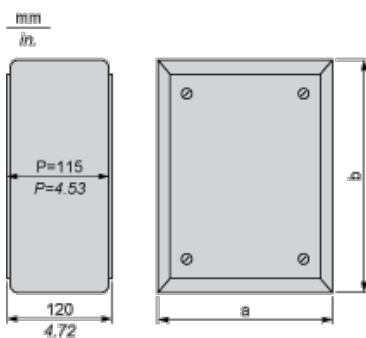
Environment

protective treatment	TC
ambient air temperature for storage	-40...70 °C
ambient air temperature for operation	-25...70 °C
electrical shock protection class	Class I conforming to IEC 60536 Class I conforming to NF C 20-030

Contractual warranty

Warranty period	18 months
-----------------	-----------

Dimensions

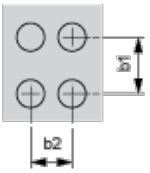


P Usable depth

a		b	
mm	in.	mm	in.
200	7.87	260	10.24

Refer to the product characteristics to get the number of cut-outs.

Cut-out interaxis dimensions (vertical mounting)



b1 Vertical interaxis: 40 mm/1.57 in.

b2 Horizontal interaxis: 30 mm/1.18 in.