



Main

| | |
|------------------------------------|---|
| Range of product | Harmony XVR |
| Product or component type | Beacon |
| Device short name | XVR3 |
| Beacon or indicator bank unit type | LED unit |
| Mounting diameter | 100 mm |
| Light source | Blue LED |
| Device application | Forklift Bulldozer Automated guided vehicle (AGV) |

Complementary

| | |
|--------------------------------|---|
| Signalling type | Flashing Blinking Rotating |
| Assembly style | Ready assembled |
| Material | PC (polycarbonate) (lenses) PBT (polybutylene terephthalate) + PC (polycarbonate) (body) EPDM (ethylene propylene diene monomer) (base) |
| [Us] rated supply voltage | 48 V DC |
| [Ue] rated operational voltage | 35...60 V DC |
| Inrush current | 1 A |
| Power consumption in W | 3 W |
| Marking | CE |
| Installation direction | Upright (indoor) Sideways (indoor) Inverted (indoor) Upright (outdoor) |
| Electrical insulation class | Class II |
| Current consumption | 1000 mA |
| Length | 100 mm |
| Width | 100 mm |
| Height | 139 mm |
| Product weight | 0.484 kg |

Environment

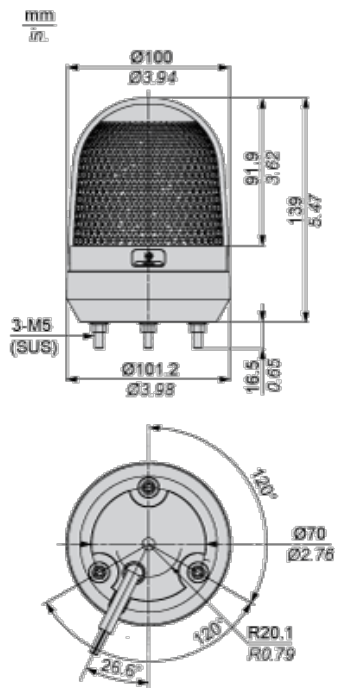
| | |
|---------------------------------------|--|
| product certifications | CCC |
| ambient air temperature for operation | -20...50 °C |
| ambient air temperature for storage | -35...70 °C |
| relative humidity | 35...85 % without condensation |
| vibration resistance | 4.6 gn (sideways) 4.6 gn (inverted) 7.1 gn (upright) |
| IP degree of protection | IP65 (upright) IP23 (sideways) IP23 (inverted) |

Offer Sustainability

| | |
|--------------------------|---|
| Sustainable offer status | Green Premium product |
| RoHS (date code: YYWW) | Compliant - since 1346 - Schneider Electric declaration of conformity |

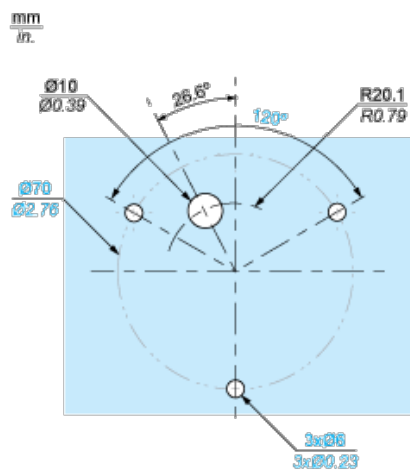
| | |
|----------------------------------|---|
| REACH | Reference not containing SVHC above the threshold |
| Product environmental profile | Available |
| Product end of life instructions | Available |

Dimensions

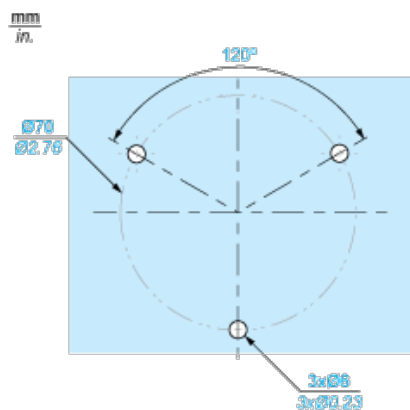


Panel Cut-out

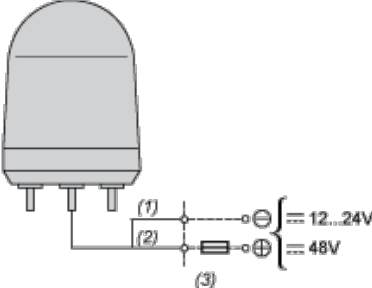
Straight wiring



Side wiring



Wiring Diagram



- (1) Black
- (2) White
- (3) Fuse(Rated Current>2A)